



CC BRAKE PAD 07BB1907

The 07BB1907 brake pad is synonymous with reliability

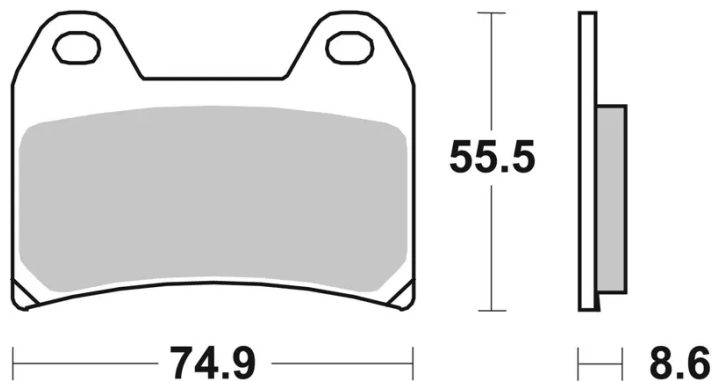
the evolution of the organic compound, using more carbon. High mileage, excellent hot and cold performance, in dry and wet conditions alike

- ✓ OE-equivalent
- ✓ Brembo quality
- ✓ ECE-R90 certificate
- ✓ Safety
- ✓ Comfort
- ✓ Durability



Technical specifications

Width mm	Height 55,5 mm	Thickness 8,6 mm
Compound Carbon ceramic	Units per box 2	



COMPATIBLE VEHICLES