



# BRAKE DISC MAX

## 08.9081.75

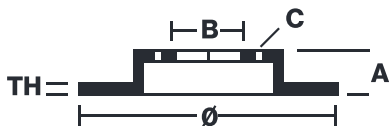
The 08.9081.75 Max brake disc is synonymous with reliability

The Brembo Max brake disc features grooves on the braking surface. The special shape of the grooves generates greater fading resistance and constant renewal of friction material, quickly restoring optimum braking conditions. The UV paint completes the sporty look.

- ✓ Brembo quality
- ✓ ECE-R90 certificate
- ✓ Performance
- ✓ Sports driving
- ✓ Sporty look
- ✓ Anti-corrosion



### Technical specifications



EAN code  
**8020584029701**

Axle  
**Rear**

Diameter  $\emptyset$   
**258 mm**

Thickness (TH)  
**10 mm**

Height (A)  
**40 mm**

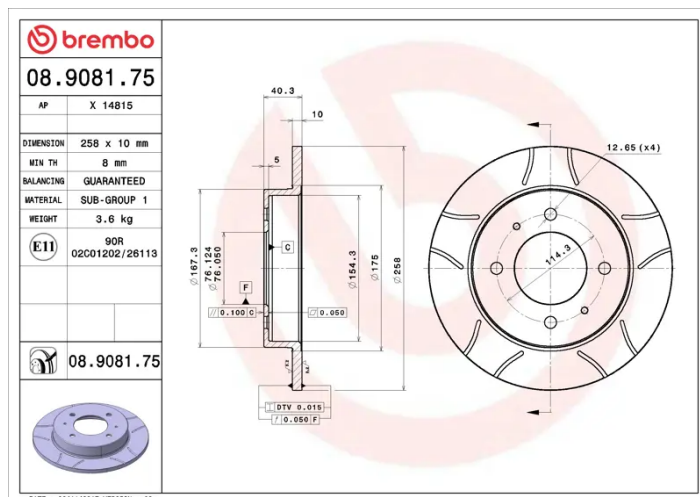
Number of holes (C)  
**4**

Brake disc type  
**Solid**

Centering (B)  
**76 mm**

Min. thickness  
**8 mm**

Tightening torque  
**100 Nm**



**COMPATIBLE VEHICLES**

## COMPATIBLE OE PART NUMBERS

5841128300	HYUNDAI
5841129300	HYUNDAI
5841129310	HYUNDAI
5841129310	HYUNDAI (BEIJING)