



# BRAKE DISC PAINTED

## 09.5254.21

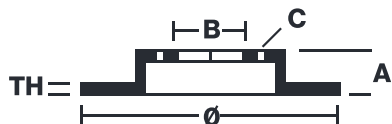
The **09.5254.21** painted brake disc is synonymous with reliability

The Brembo brake disc with special UV paint treatment guarantees superior corrosion resistance for the product, thanks to the protective coating on the outer edges and on the disc hub. The UV paint not only gives the disc a clean, shiny appearance but is also beneficial for the environment as the water-based UV paint treatment does not require the use of chemical solvents and is a low energy consumption process.

- ✓ OE-equivalent
- ✓ Brembo quality
- ✓ ECE-R90 certificate
- ✓ Safety
- ✓ Anti-corrosion

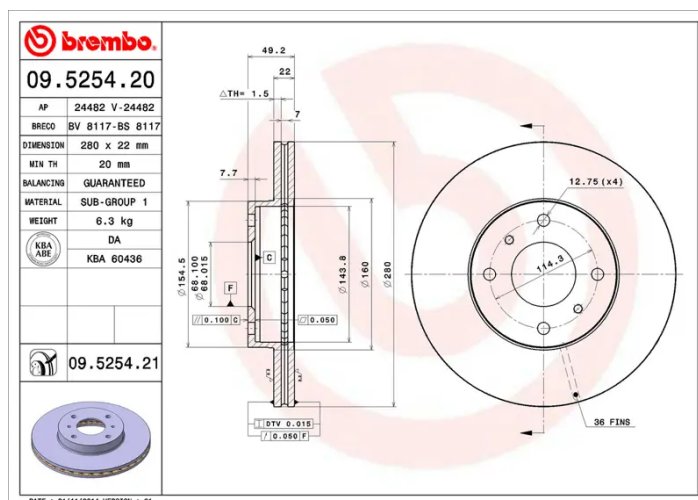


### Technical specifications



EAN code	Axle	Diameter Ø
<b>8020584210505</b>	<b>Front</b>	<b>280 mm</b>
Thickness (TH)	Height (A)	Number of holes (C)
<b>22 mm</b>	<b>49 mm</b>	<b>4</b>
Brake disc type	Centering (B)	Min. thickness
<b>Ventilated</b>	<b>68 mm</b>	<b>20 mm</b>

Tightening torque  
**108 Nm**



COMPATIBLE VEHICLES

## COMPATIBLE OE PART NUMBERS

40206011VA	NISSAN
------------	--------

402062F500	NISSAN
------------	--------

402062F501	NISSAN
------------	--------

4020655F01	NISSAN
------------	--------

4020655F03	NISSAN
------------	--------

4020673L01	NISSAN
------------	--------

402067J100	NISSAN
------------	--------

402067J101	NISSAN
------------	--------

4020690	NISSAN
---------	--------

40206900	NISSAN
----------	--------

D02062F50AVA	NISSAN
--------------	--------