



BRAKE PAD PRIME CERAMIC P56073N

The P56073N NAO brake pad is synonymous with reliability

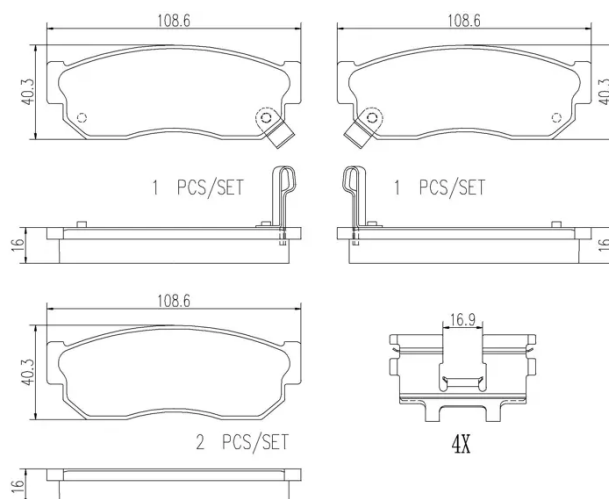
Brembo NAO brake pads stand out for their ultimate braking comfort, reduced friction wear and low dust mission, which makes for cleaner rims and reduced maintenance requirements. The advanced friction material in keeping with the strictest environmental standards is the main distinguishing feature of NAO compounds.

- ✓ OE-equivalent
- ✓ Brembo quality
- ✓ Safety
- ✓ Comfort
- ✓ Durability
- ✓ Dust reduction
- ✓ With accessories



Technical specifications

EAN code 8020584098967	Axle Front	Thickness 16 mm
Width 109 mm	Height 40 mm	Braking system Sumitomo
Wear indicator Acoustic	Accessories With anti-squeal shim	



COMPATIBLE VEHICLES

COMPATIBLE OE PART NUMBERS

4106011A93	NISSAN
------------	--------

4106014A90	NISSAN
------------	--------

4106061A90	NISSAN
------------	--------

4106075A90	NISSAN
------------	--------

4106075A92	NISSAN
------------	--------

4106077A90	NISSAN
------------	--------

4106077A90A5	NISSAN
--------------	--------

4106089A91	NISSAN
------------	--------

41060A1787	NISSAN
------------	--------

41060A1887	NISSAN
------------	--------

D106M77A90VW	SUBARU
--------------	--------