



BRAKE PAD PRIME CERAMIC P65028N

The P65028N NAO brake pad is synonymous with reliability

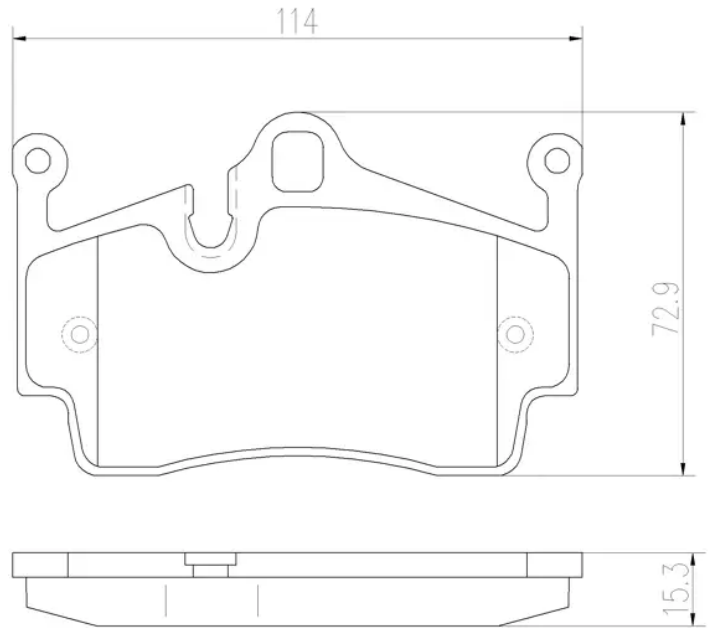
Brembo NAO brake pads stand out for their ultimate braking comfort, reduced friction wear and low dust mission, which makes for cleaner rims and reduced maintenance requirements. The advanced friction material in keeping with the strictest environmental standards is the main distinguishing feature of NAO compounds.

- ✓ OE-equivalent
- ✓ Brembo quality
- ✓ Safety
- ✓ Comfort
- ✓ Durability
- ✓ Dust reduction
- ✓ With accessories



Technical specifications

EAN code	Axle	Thickness
8020584083154	Rear	15 mm
Width	Height	Braking system
114 mm	73 mm	Brembo
Wear indicator	WVA number	Accessories
Prepared for wear indicator	24541	With anti-squeal shim



4 PCS/SET

COMPATIBLE VEHICLES

COMPATIBLE OE PART NUMBERS

98735293901	PORSCHE
98735293903	PORSCHE
99735293900	PORSCHE