



# BRAKE PAD PRIME CERAMIC P83117N

The P83117N NAO brake pad is synonymous with reliability

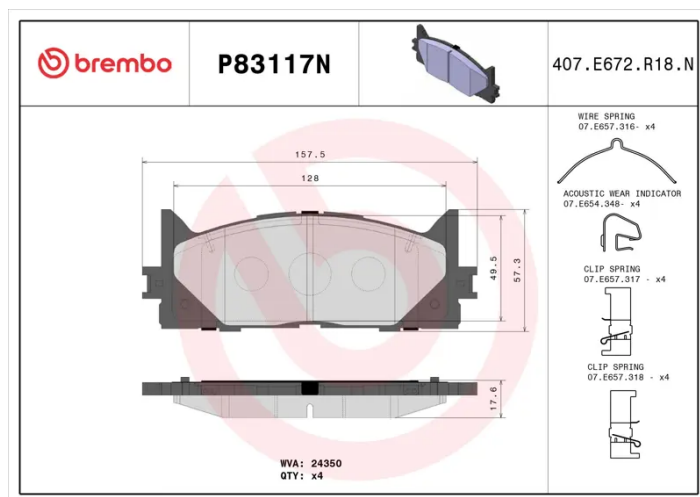
Brembo NAO brake pads stand out for their ultimate braking comfort, reduced friction wear and low dust mission, which makes for cleaner rims and reduced maintenance requirements. The advanced friction material in keeping with the strictest environmental standards is the main distinguishing feature of NAO compounds.

- ✓ OE-equivalent
- ✓ Brembo quality
- ✓ Safety
- ✓ Comfort
- ✓ Durability
- ✓ Dust reduction
- ✓ With accessories



## Technical specifications

|                                  |                            |   |
|----------------------------------|----------------------------|---|
| EAN code<br><b>8020584099841</b> | Axle<br><b>Front</b>       | Thickness<br><b>18 mm</b>                   |
| Width<br><b>158 mm</b>           | Height<br><b>57 mm</b>     | Braking system<br><b>Akebono</b>            |
| Wear indicator<br><b>Without</b> | WVA number<br><b>24350</b> | Accessories<br><b>With anti-squeal shim</b> |



COMPATIBLE VEHICLES

## COMPATIBLE OE PART NUMBERS

0446506070 TOYOTA

---

0446506080 TOYOTA

---

0446506100 TOYOTA

---

0446506110 TOYOTA

---

0446506130 TOYOTA

---

0446506131 TOYOTA

---

0446506140 TOYOTA

---

0446507010 TOYOTA

---

0446507020 TOYOTA

---

0446533440 TOYOTA

---

0446533450 TOYOTA

---

0446533470 TOYOTA

---

0446533471 TOYOTA

---

04465YZZEG TOYOTA

---