



# BRAKE PAD

## P 24 078

The P 24 078 brake pad is synonymous with reliability



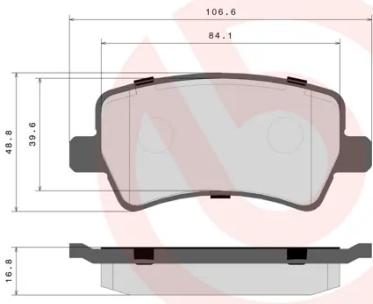


The Brembo brake pad guarantees ultimate safety when braking thanks to the use of more than 100 different compounds, designed according to the type of vehicle and use. Stopping distances reduced to a minimum, maximum driving comfort and silent operation are the most important features of Brembo materials. Brembo brake pads are supplied together with an extensive range of accessories and assembly kits for professional-standard installation.

- ✓ OE-equivalent
- ✓ Brembo quality
- ✓ ECE-R90 certificate
- ✓ Safety
- ✓ Performance
- ✓ Comfort
- ✓ With accessories



### Technical specifications

EAN code <b>8020584060513</b>	Axle <b>Rear</b>	Thickness <b>17 mm</b>
Width <b>107 mm</b>	Height <b>49 mm</b>	Braking system <b>TRW</b>
Wear indicator <b>Without</b>	WVA number <b>24496</b>	Accessories <b>With accessories</b> <b>With anti-squeal shim</b> <b>With brake caliper bolts</b>

	<b>P 24 078</b>		407.E672.071
		<small>SCREW M8x1, 25x21 05.E659.000 - x4</small>  <small>SPRING CLIP 07.E658.011 - x4</small> 	
<small>WVA: 24496 QTY: x4</small>			
<small>DATE : 09/09/2022 VERSION : 00</small>			

COMPATIBLE VEHICLES

## COMPATIBLE OE PART NUMBERS

1426143	FORD
1426144	FORD
1439866	FORD
1459450	FORD
1503969	FORD
1566233	FORD
1655233	FORD
1752093	FORD
1916606	FORD
6G912M008AA	FORD
6G912M008BA	FORD
6G912M008FA	FORD
6G912M008FB	FORD
6G912M008FC	FORD
6G912M008FD	FORD
89BBA23943JA3M	FORD
ME6G9J2M008FA	FORD
ME6G9J2M008FB	FORD
ME6GJ2M008FA	FORD
LR027129	LAND ROVER
LR043285	LAND ROVER
LR043714	LAND ROVER
LR134695	LAND ROVER
30671575	VOLVO
30742516	VOLVO
30794555	VOLVO
31317482	VOLVO
31317483	VOLVO
32300258	VOLVO
32300259	VOLVO
31329430	VOLVO (CHANGAN)