



BRAKE PAD

P 28 013

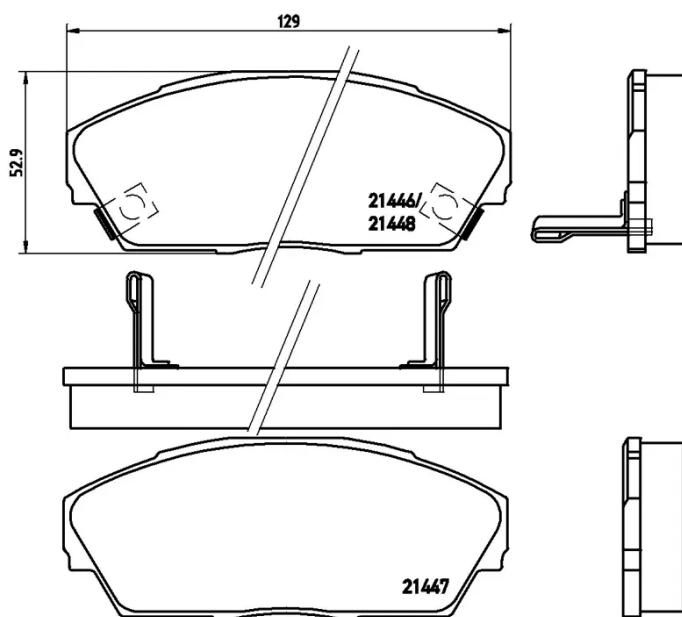
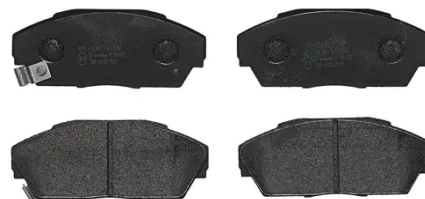
The P 28 013 brake pad is synonymous with reliability

The Brembo brake pad guarantees ultimate safety when braking thanks to the use of more than 100 different compounds, designed according to the type of vehicle and use. Stopping distances reduced to a minimum, maximum driving comfort and silent operation are the most important features of Brembo materials. Brembo brake pads are supplied together with an extensive range of accessories and assembly kits for professional-standard installation.

- ✓ OE-equivalent
- ✓ Brembo quality
- ✓ ECE-R90 certificate
- ✓ Safety
- ✓ Performance
- ✓ Comfort

Technical specifications

EAN code	Axle	Thickness
8020584052471	Front	18 mm
Width	Height	Braking system
129 mm	53 mm	Akebono
Wear indicator	WVA number	Accessories
Acoustic	21446,21447,21448	With anti-squeal shim



COMPATIBLE VEHICLES

COMPATIBLE OE PART NUMBERS

45022SA4A11 HONDA

45022SA4A12 HONDA

45022SD4000 HONDA

45022SD4010 HONDA

45022SD4020 HONDA

45022SD4508 HONDA

45022SD4526 HONDA

45022SD4528 HONDA

45022SD4A10 HONDA

45022SD4A11 HONDA

45022SD4A12 HONDA

45022SD4A13 HONDA

45022SD4E00 HONDA

45022SF9305 HONDA

45022SF9505 HONDA

45022SF9525 HONDA

45022SG0000 HONDA

45022SG0010 HONDA

45022SG0020 HONDA

45022SG0305 HONDA

45022SG0315 HONDA

45022SG0325 HONDA

45022SG0335 HONDA

45022SG0507 HONDA

45022SG0517 HONDA

45022SG0527 HONDA

45022SG0537 HONDA

45022SG0G10 HONDA

45022SG0G11 HONDA

45022SG0G12 HONDA

45022SG0G13 HONDA

45022SG0J00 HONDA

45022SK7000 HONDA

45022SK7010 HONDA

45022SK7505 HONDA

45022SK7506 HONDA

45022SK7518 HONDA

45022SK7526 HONDA

45022SR3507 HONDA

45022SR3N30 HONDA

45022SR3N31 HONDA

H4502SF9003 HONDA

H4502SR3003 HONDA

AY040HN005 NISSAN

GBP90298 ROVER

