

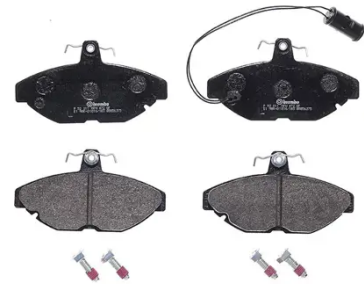


# BRAKE PAD

## P 52 011

**The P 52 011 brake pad is synonymous with reliability**

The Brembo brake pad guarantees ultimate safety when braking thanks to the use of more than 100 different compounds, designed according to the type of vehicle and use. Stopping distances reduced to a minimum, maximum driving comfort and silent operation are the most important features of Brembo materials. Brembo brake pads are supplied together with an extensive range of accessories and assembly kits for professional-standard installation.



- ✓ OE-equivalent
- ✓ Brembo quality
- ✓ ECE-R90 certificate
- ✓ Safety
- ✓ Performance
- ✓ Comfort
- ✓ With accessories

## Technical specifications

EAN code  
**8020584054413**

Axle  
**Front**

Thickness  
**18 mm**

Width  
**118 mm**

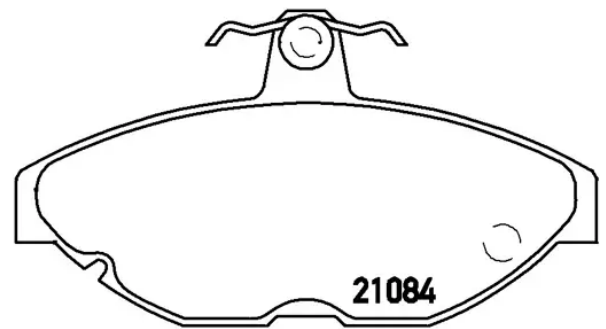
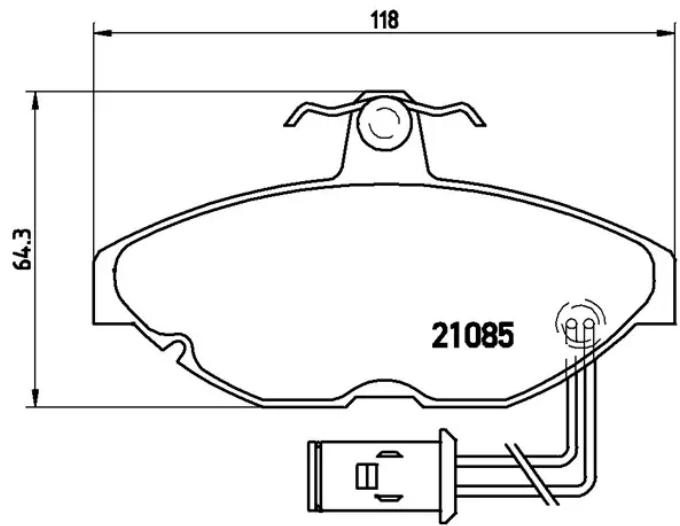
Height  
**64 mm**

Braking system  
**Lucas**

Wear indicator  
**Electric**

WVA number  
**21084,21085**

Accessories  
**With accessories  
With anti-squeal  
shim  
With brake caliper  
bolts**



## COMPATIBLE VEHICLES

## COMPATIBLE OE PART NUMBERS

BHM7237	AUSTIN
GBP656	AUSTIN
GBP90288	AUSTIN
GBP90294	AUSTIN
GBP90295	AUSTIN
RTGBP6560	RELIANCE
GBP276	ROVER
GBP90296	ROVER
GBP90296AF	ROVER
GBP90317	ROVER
GBP90317AF	ROVER