



BEYOND EV PAD P 85 137E

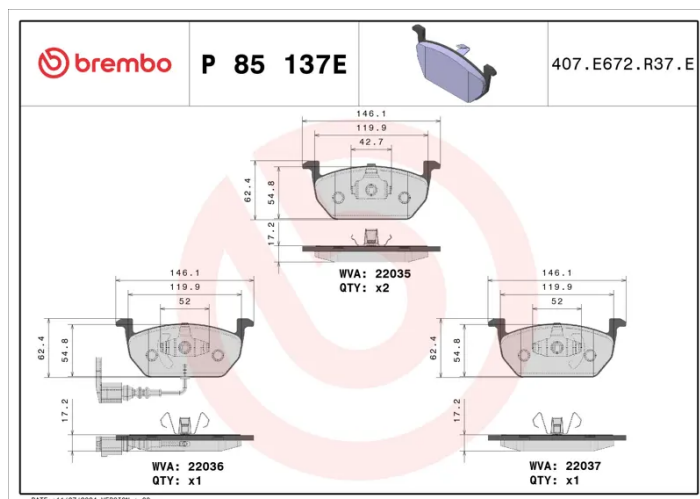
The P 85 137E brake pad is designed for electric cars

The use of regenerative braking, in electric vehicles, entails a more discontinuous use of the friction brake compared to a car with a combustion engine. For this reason, special attention is required to avoid the corrosion of brake discs and brake pads. The Brembo EV brake pad is coated with a special protective treatment, and when used in combination with Brembo EV brake discs, it avoids early corrosion of the braking system, guaranteeing silent and effective braking.

- ✓ Brembo quality
- ✓ ECE-R90 certificate
- ✓ Comfort
- ✓ Durability
- ✓ Anti-corrosion
- ✓ With accessories

Technical specifications

EAN code 8020584130063	Axle Front	Thickness 17 mm
Width 146 mm	Height 62 mm	Braking system Teves
Wear indicator Electric	WVA number 22035,22036,22037	Accessories With accessories With anti-squeal shim With piston clip



COMPATIBLE VEHICLES

COMPATIBLE OE PART NUMBERS

5Q0698151C	AUDI
------------	------

JZW698151AS	AUDI
-------------	------

5Q0698151C	SEAT
------------	------

JZW698151AS	SEAT
-------------	------

5Q0698151C	SKODA
------------	-------

JZW698151AS	SKODA
-------------	-------

5Q0698151C	VW
------------	----

JZW698151AS	VW
-------------	----