



BRAKE PAD PRIME CERAMIC P10027N

The P10027N NAO brake pad is synonymous with reliability

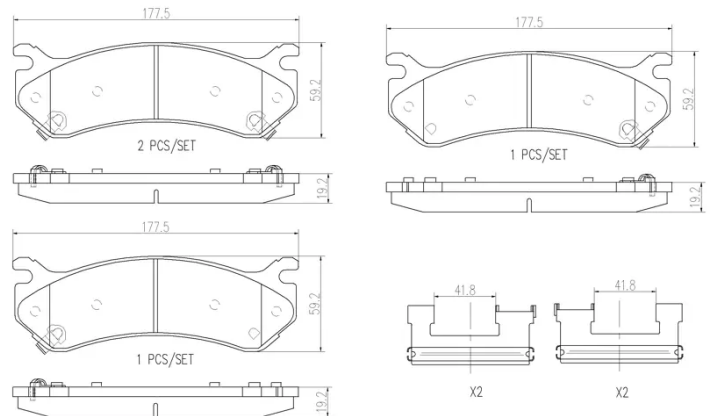
Brembo NAO brake pads stand out for their ultimate braking comfort, reduced friction wear and low dust mission, which makes for cleaner rims and reduced maintenance requirements. The advanced friction material in keeping with the strictest environmental standards is the main distinguishing feature of NAO compounds.

- ✓ OE-equivalent
- ✓ Brembo quality
- ✓ Safety
- ✓ Comfort
- ✓ Durability
- ✓ Dust reduction
- ✓ With accessories



Technical specifications

EAN code 8020584096185	Axle Front and rear	Thickness 19 mm
Width 178 mm	Height 59 mm	
Wear indicator Acoustic	Accessories With anti-squeal shim	



COMPATIBLE VEHICLES

COMPATIBLE OE PART NUMBERS

18048101	CADILLAC
----------	----------

15886462	CHEVROLET
----------	-----------

18026217	CHEVROLET
----------	-----------

18041762	CHEVROLET
----------	-----------

18048101	CHEVROLET
----------	-----------

19210705	CHEVROLET
----------	-----------

19210707	CHEVROLET
----------	-----------

25976453	CHEVROLET
----------	-----------

88909671	CHEVROLET
----------	-----------

15886462	GMC
----------	-----

18041762	GMC
----------	-----

18048101	GMC
----------	-----

19210707	GMC
----------	-----

25976453	GMC
----------	-----

15886462	HUMMER
----------	--------

18041762	HUMMER
----------	--------

25976453	HUMMER
----------	--------