



BRAKE DISC

08.5545.10

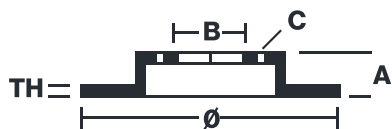
The **08.5545.10** brake disc is synonymous with reliability

The Brembo brake disc is fully interchangeable with an Original Equipment brake disc. The control of the entire production cycle allows Brembo to offer brake discs with outstanding performance levels, reliability, durability and comfort in all conditions of use. All Brembo brake discs are accompanied by the ECE-R90 homologation.

- ✓ OE-equivalent
- ✓ Brembo quality
- ✓ ECE-R90 certificate
- ✓ Safety
- ✓ Fastening screws



Technical specifications



EAN code
8020584554517

Axle
Front

Diameter \varnothing
231 mm

Thickness (TH)
12 mm

Height (A)
44 mm

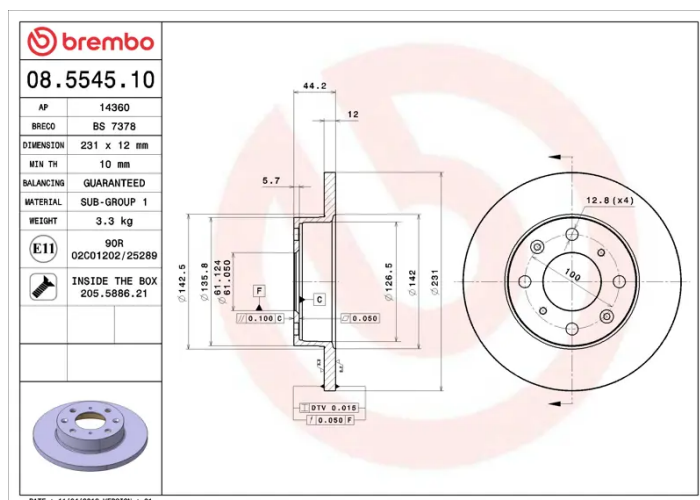
Number of holes (C)
4

Brake disc type
Solid

Centering (B)
61 mm

Min. thickness
10 mm

Tightening torque
108 Nm



COMPATIBLE VEHICLES

COMPATIBLE OE PART NUMBERS

45251SB2000	HONDA
-------------	-------

45251SB2010	HONDA
-------------	-------

45251SB2020	HONDA
-------------	-------

45251SB2030	HONDA
-------------	-------

45251SB2720	HONDA
-------------	-------

45251SB2730	HONDA
-------------	-------

45251SB2731	HONDA
-------------	-------

45251SB2732	HONDA
-------------	-------

DBP3169	ROVER
---------	-------

DPB3169	ROVER
---------	-------

GBD90810	ROVER
----------	-------

GBD90818	ROVER
----------	-------

GBD90827	ROVER
----------	-------