



BRAKE DISC

08.7014.10

The **08.7014.10** brake disc is synonymous with reliability

The Brembo brake disc is fully interchangeable with an Original Equipment brake disc. The control of the entire production cycle allows Brembo to offer brake discs with outstanding performance levels, reliability, durability and comfort in all conditions of use. All Brembo brake discs are accompanied by the ECE-R90 homologation.

- ✓ OE-equivalent
- ✓ Brembo quality
- ✓ ECE-R90 certificate
- ✓ Safety
- ✓ Fastening screws



Technical specifications



EAN code
8020584701416

Axle
Rear

Diameter \varnothing
270 mm

Thickness (TH)
10 mm

Height (A)
69 mm

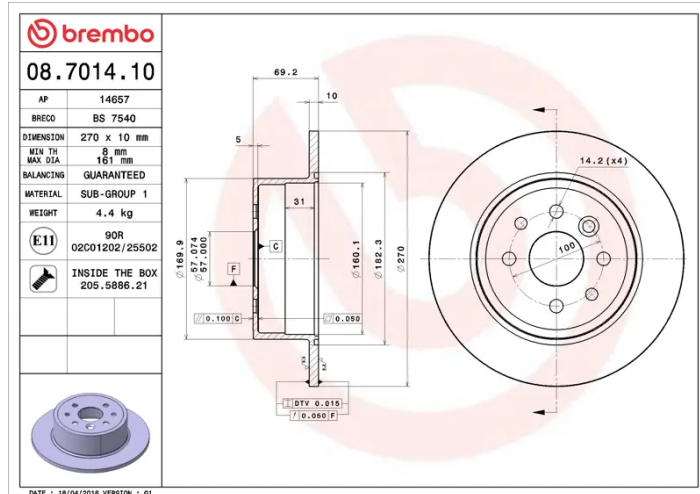
Number of holes (C)
4

Brake disc type
Solid

Centering (B)
57 mm

Min. thickness
8 mm

Tightening torque
110 Nm



COMPATIBLE VEHICLES

COMPATIBLE OE PART NUMBERS

90495268	CHEVROLET
----------	-----------

0569117	OPEL
---------	------

569117	OPEL
--------	------

569209	OPEL
--------	------

90512909	OPEL
----------	------

93182288	OPEL
----------	------

569209	VAUXHALL
--------	----------

90512909	VAUXHALL
----------	----------

93182288	VAUXHALL
----------	----------