



BRAKE DISC

08.A355.10

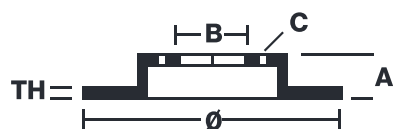
The **08.A355.10** brake disc is synonymous with reliability

The Brembo brake disc is fully interchangeable with an Original Equipment brake disc. The control of the entire production cycle allows Brembo to offer brake discs with outstanding performance levels, reliability, durability and comfort in all conditions of use. All Brembo brake discs are accompanied by the ECE-R90 homologation.

- ✓ OE-equivalent
- ✓ Brembo quality
- ✓ ECE-R90 certificate
- ✓ Safety
- ✓ Fastening screws



Technical specifications



EAN code
8020584018378

Axle
Rear

Diameter \varnothing
305 mm

Thickness (TH)
9 mm

Height (A)
61 mm

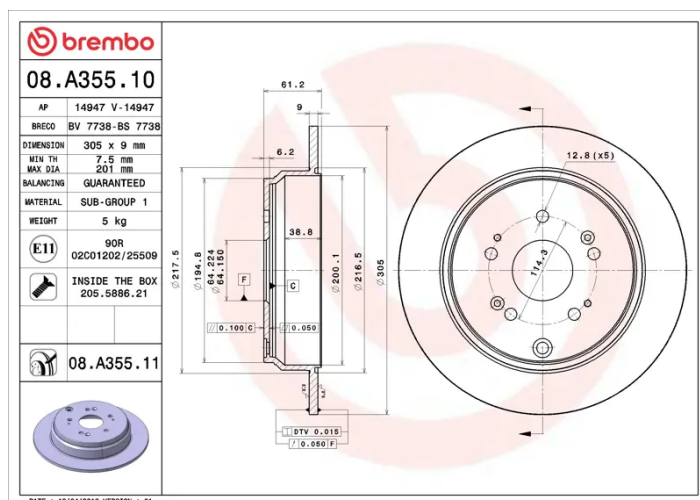
Number of holes (C)
5

Brake disc type
Solid

Centering (B)
64 mm

Min. thickness
7,5 mm

Tightening torque
108 Nm



COMPATIBLE VEHICLES

COMPATIBLE OE PART NUMBERS

42510TX4A01	ACURA
42510TX4A02	ACURA
42510S9AE50	HONDA
42510SA9E50	HONDA
42510SCAE50	HONDA
42510STKA00	HONDA
42510SWA000	HONDA
42510SWAA00	HONDA
42510SWAA01	HONDA
42510SWAA02	HONDA
42510XSA00	HONDA
42510T0AA00	HONDA
42510T0GA01	HONDA
42510T0GA02	HONDA
42510T0GA04	HONDA
42510T0TH00	HONDA (DONGFENG)