



BRAKE DISC

08.A872.10

The **08.A872.10** brake disc is synonymous with reliability

The Brembo brake disc is fully interchangeable with an Original Equipment brake disc. The control of the entire production cycle allows Brembo to offer brake discs with outstanding performance levels, reliability, durability and comfort in all conditions of use. All Brembo brake discs are accompanied by the ECE-R90 homologation.

- ✓ OE-equivalent
- ✓ Brembo quality
- ✓ ECE-R90 certificate
- ✓ Safety
- ✓ Fastening screws



Technical specifications



EAN code
8020584026199

Axle
Rear

Diameter \varnothing
258 mm

Thickness (TH)
10,5 mm

Height (A)
57 mm

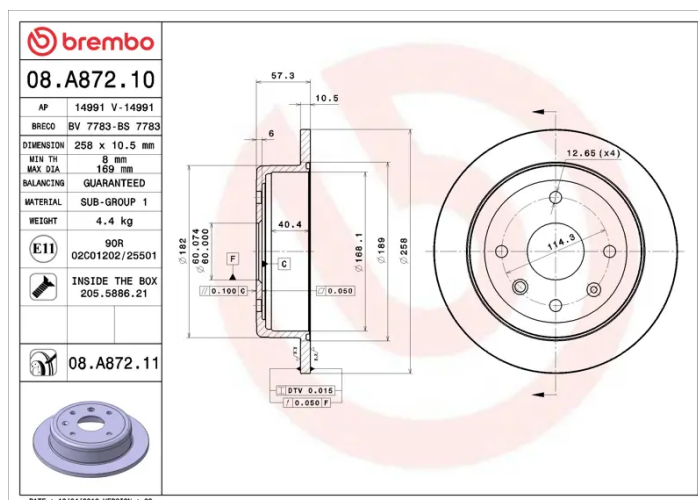
Number of holes (C)
4

Brake disc type
Solid

Centering (B)
60 mm

Min. thickness
8 mm

Tightening torque
100 Nm



COMPATIBLE VEHICLES

COMPATIBLE OE PART NUMBERS

24535045	BAOJUN (SGMW)
----------	---------------

96430670	BUICK (SGM)
----------	-------------

96549630	BUICK (SGM)
----------	-------------

96430670	CHEVROLET
----------	-----------

96549630	CHEVROLET
----------	-----------

96549630	DAEWOO
----------	--------