



BRAKE DISC

08.B271.10

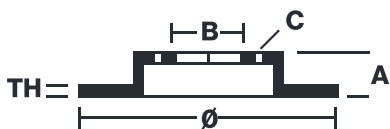
The **08.B271.10** brake disc is synonymous with reliability

The Brembo brake disc is fully interchangeable with an Original Equipment brake disc. The control of the entire production cycle allows Brembo to offer brake discs with outstanding performance levels, reliability, durability and comfort in all conditions of use. All Brembo brake discs are accompanied by the ECE-R90 homologation.

- ✓ OE-equivalent
- ✓ Brembo quality
- ✓ ECE-R90 certificate
- ✓ Safety
- ✓ Fastening screws



Technical specifications



EAN code
8020584036365

Axle
Rear

Diameter Ø
282 mm

Thickness (TH)
9 mm

Height (A)
49 mm

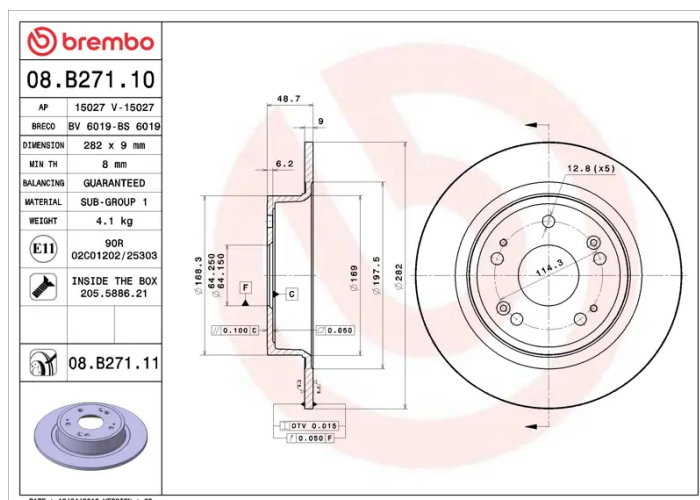
Number of holes (C)
5

Brake disc type
Solid

Centering (B)
64 mm

Min. thickness
8 mm

Tightening torque
108 Nm



COMPATIBLE VEHICLES

COMPATIBLE OE PART NUMBERS

42510TA0A00 ACURA

42510TA0A01 ACURA

42510TA0A02 ACURA

42510T7JH00 ACURA (GAC)

42510SFY000 HONDA

42510T7JH00 HONDA

42510T8NT00 HONDA

42510TA0A00 HONDA

42510TA0A01 HONDA

42510TA0A02 HONDA

42510TC0T00 HONDA

42510T7JH00 HONDA (DONGFENG)

42510TP5H00 HONDA (DONGFENG)

42510T7JH00 HONDA (GAC)

42510TB0W00 HONDA (GAC)

42510TA0A01 PROTON
