



BRAKE DISC PAINTED

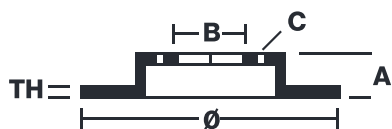
08.D698.11

The 08.D698.11 painted brake disc is synonymous with reliability

The Brembo brake disc with special UV paint treatment guarantees superior corrosion resistance for the product, thanks to the protective coating on the outer edges and on the disc hub. The UV paint not only gives the disc a clean, shiny appearance but is also beneficial for the environment as the water-based UV paint treatment does not require the use of chemical solvents and is a low energy consumption process.

- ✓ OE-equivalent
- ✓ Brembo quality
- ✓ ECE-R90 certificate
- ✓ Safety
- ✓ Anti-corrosion
- ✓ Fastening screws

Technical specifications



EAN code
8020584237083

Axle
Rear

Diameter Ø
260 mm

Thickness (TH)
9 mm


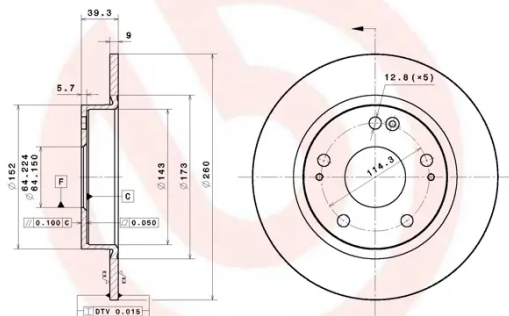




Height (A)
39 mm

Number of holes (C)
5

Brake disc type
Solid

Centering (B)
64 mm

Min. thickness
8 mm

		08.D698.11	
AP	10020 V		
BRECO	BV 6186		
DIMENSION	260 x 9 mm		
MIN TH	8 mm		
BALANCING	GUARANTEED		
MATERIAL	SUB-GROUP 1		
WEIGHT	3.2 kg		
	9DR 02C01202/25297		
	INSIDE THE BOX 205.5886.21		
	08.D698.11		
		<small>DATE : 16/04/2019 VERSION : 00</small>	

COMPATIBLE VEHICLES

COMPATIBLE OE PART NUMBERS

42510TBAA00

HONDA

42510TEAT01

HONDA

42510TETH00

HONDA (DONGFENG)

42510TETH00

HONDA (GAC)
