



BRAKE DISC PAINTED

08.N123.11

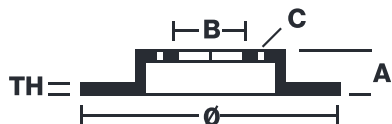
The 08.N123.11 painted brake disc is synonymous with reliability

The Brembo brake disc with special UV paint treatment guarantees superior corrosion resistance for the product, thanks to the protective coating on the outer edges and on the disc hub. The UV paint not only gives the disc a clean, shiny appearance but is also beneficial for the environment as the water-based UV paint treatment does not require the use of chemical solvents and is a low energy consumption process.

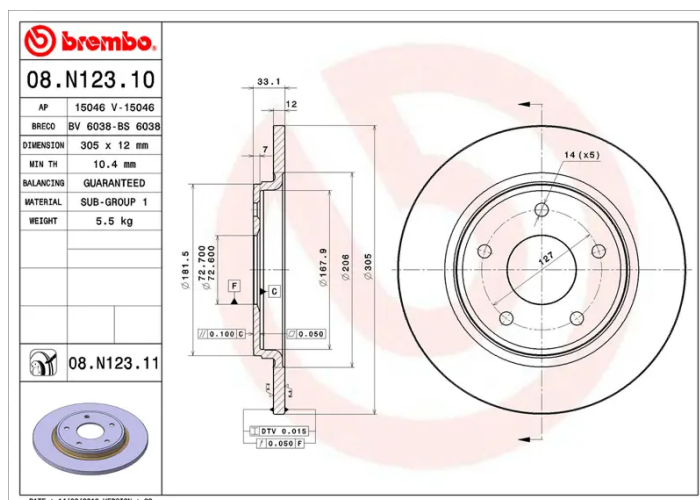
- ✓ OE-equivalent
- ✓ Brembo quality
- ✓ ECE-R90 certificate
- ✓ Safety
- ✓ Anti-corrosion



Technical specifications



EAN code 8020584034590	Axle Rear	Diameter Ø 305 mm
Thickness (TH) 12 mm	Height (A) 33 mm	Number of holes (C) 5
Brake disc type Solid	Centering (B) 73 mm	Min. thickness 10,4 mm
Tightening torque 129 Nm		



COMPATIBLE VEHICLES

COMPATIBLE OE PART NUMBERS

04721996AB	CHRYSLER
------------	----------

4721677AA	CHRYSLER
-----------	----------

4721996AA	CHRYSLER
-----------	----------

4721996AB	CHRYSLER
-----------	----------

04721996AA	DODGE
------------	-------

4721996AA	DODGE
-----------	-------

4721996AB	DODGE
-----------	-------

K04721677AA	FIAT
-------------	------

K04721996AA	FIAT
-------------	------

K04721996AB	FIAT
-------------	------

7B0615601A	VW
------------	----

7B0615601B	VW
------------	----