



BRAKE DISC

09.5282.10

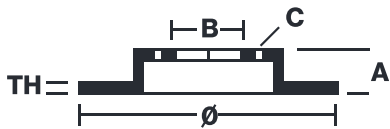
The **09.5282.10** brake disc is synonymous with reliability

The Brembo brake disc is fully interchangeable with an Original Equipment brake disc. The control of the entire production cycle allows Brembo to offer brake discs with outstanding performance levels, reliability, durability and comfort in all conditions of use. All Brembo brake discs are accompanied by the ECE-R90 homologation.

- ✓ OE-equivalent
- ✓ Brembo quality
- ✓ ECE-R90 certificate
- ✓ Safety



Technical specifications



EAN code
8020584528211

Axle
Front

Diameter Ø
257 mm

Thickness (TH)
22 mm

Height (A)
45 mm

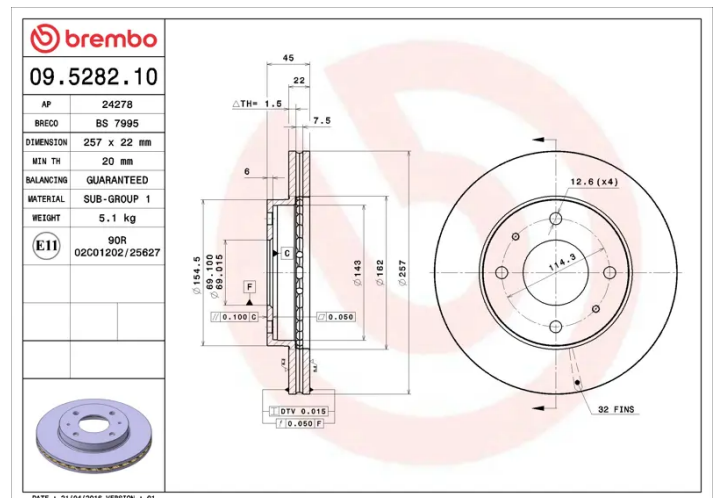
Number of holes (C)
4

Brake disc type
Ventilated

Centering (B)
69 mm

Min. thickness
20 mm

Tightening torque
100 Nm



COMPATIBLE VEHICLES

COMPATIBLE OE PART NUMBERS

5171233001	HYUNDAI
------------	---------

5171233010	HYUNDAI
------------	---------

4020695F0A	NISSAN
------------	--------

4020695F0B	NISSAN
------------	--------

4020695F0C	NISSAN
------------	--------

40206EW80A	NISSAN (DFAC)
------------	---------------
