



# BRAKE DISC PAINTED

## 09.5674.21

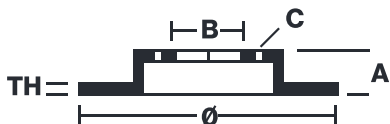
The 09.5674.21 painted brake disc is synonymous with reliability

The Brembo brake disc with special UV paint treatment guarantees superior corrosion resistance for the product, thanks to the protective coating on the outer edges and on the disc hub. The UV paint not only gives the disc a clean, shiny appearance but is also beneficial for the environment as the water-based UV paint treatment does not require the use of chemical solvents and is a low energy consumption process.

- ✓ OE-equivalent
- ✓ Brembo quality
- ✓ ECE-R90 certificate
- ✓ Safety
- ✓ Anti-corrosion

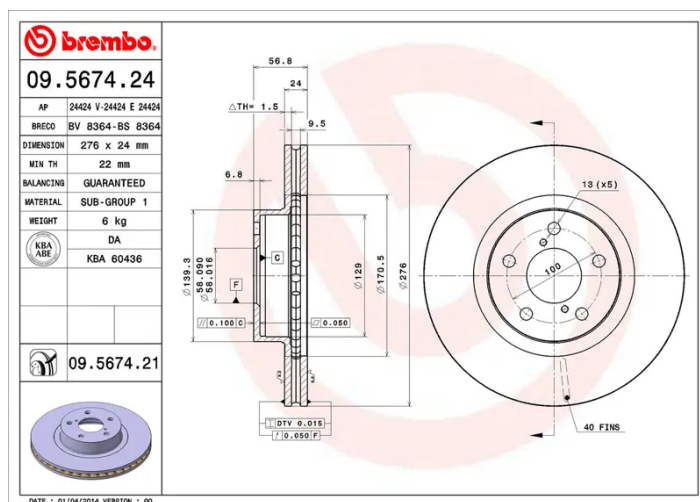


### Technical specifications



EAN code <b>8020584032862</b>	Axle <b>Front</b>	Diameter Ø <b>276 mm</b>
Thickness (TH) <b>24 mm</b>	Height (A) <b>57 mm</b>	Number of holes (C) <b>5</b>
Brake disc type <b>Ventilated</b>	Centering (B) <b>58 mm</b>	Min. thickness <b>22 mm</b>

Tightening torque  
**100 Nm**



COMPATIBLE VEHICLES

## COMPATIBLE OE PART NUMBERS

26300AE00A	SUBARU
------------	--------

26300AE00B	SUBARU
------------	--------

26300AE00C	SUBARU
------------	--------

26300AE050	SUBARU
------------	--------

26300AE070	SUBARU
------------	--------

26300AE071	SUBARU
------------	--------

26310AA081	SUBARU
------------	--------

26310AA091	SUBARU
------------	--------

26310AA092	SUBARU
------------	--------

26310AA101	SUBARU
------------	--------

26310AA120	SUBARU
------------	--------

26310AA121	SUBARU
------------	--------

26310AA151	SUBARU
------------	--------

32006172	SUBARU
----------	--------

SU00300585	TOYOTA
------------	--------