



# BRAKE DISC PAINTED

## 09.7629.11

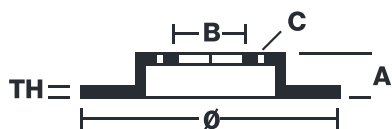
The 09.7629.11 painted brake disc is synonymous with reliability

The Brembo brake disc with special UV paint treatment guarantees superior corrosion resistance for the product, thanks to the protective coating on the outer edges and on the disc hub. The UV paint not only gives the disc a clean, shiny appearance but is also beneficial for the environment as the water-based UV paint treatment does not require the use of chemical solvents and is a low energy consumption process.

- ✓ OE-equivalent
- ✓ Brembo quality
- ✓ ECE-R90 certificate
- ✓ Safety
- ✓ High carbon
- ✓ Anti-corrosion

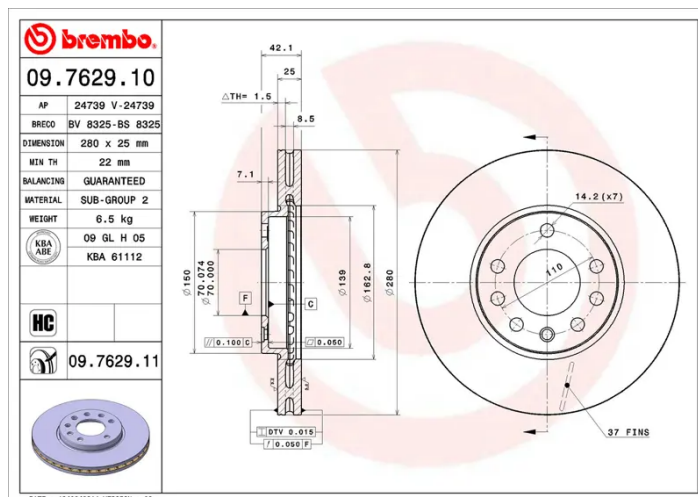


### Technical specifications



|                                      |                               |                                 |
|--------------------------------------|-------------------------------|---------------------------------|
| EAN code<br><b>8020584022931</b>     | Axle<br><b>Front</b>          | Diameter Ø<br><b>280 mm</b>     |
| Thickness (TH)<br><b>25 mm</b>       | Height (A)<br><b>42 mm</b>    | Number of holes (C)<br><b>5</b> |
| Brake disc type<br><b>Ventilated</b> | Centering (B)<br><b>70 mm</b> | Min. thickness<br><b>22 mm</b>  |

Tightening torque  
**110 Nm**



## COMPATIBLE OE PART NUMBERS

90539466 CHEVROLET

---

9117678 CHEVROLET

---

93197592 CHEVROLET

---

569060 OPEL

---

569066 OPEL

---

90539466 OPEL

---

9117678 OPEL

---

93197592 OPEL

---

95526655 OPEL

---

90539466 VAUXHALL

---

9117678 VAUXHALL

---

93197592 VAUXHALL

---

95526655 VAUXHALL

---