



BRAKE DISC

09.8960.10

The **09.8960.10** brake disc is synonymous with reliability

The Brembo brake disc is fully interchangeable with an Original Equipment brake disc. The control of the entire production cycle allows Brembo to offer brake discs with outstanding performance levels, reliability, durability and comfort in all conditions of use. All Brembo brake discs are accompanied by the ECE-R90 homologation.

- ✓ OE-equivalent
- ✓ Brembo quality
- ✓ ECE-R90 certificate
- ✓ Safety
- ✓ PVT ventilation



Technical specifications



EAN code
8020584896013

Axle
Front

Diameter Ø
276 mm

Thickness (TH)
24,3 mm

Height (A)
43 mm

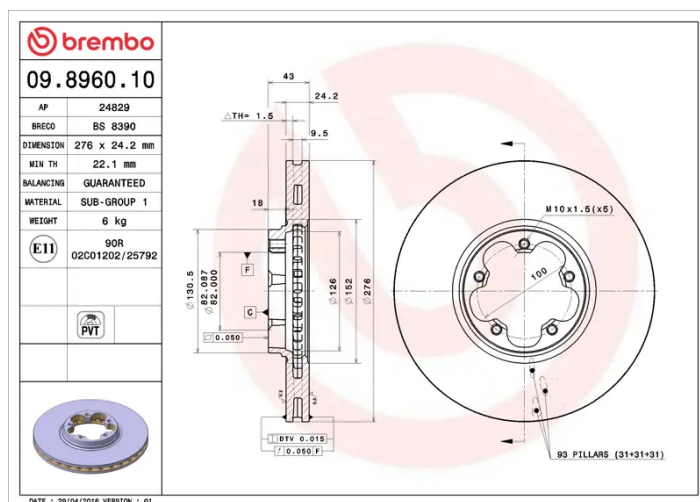
Number of holes (C)
5

Brake disc type
Ventilated

Centering (B)
82 mm

Min. thickness
22,1 mm

Tightening torque
100 Nm



COMPATIBLE VEHICLES

COMPATIBLE OE PART NUMBERS

1456667 FORD

1473008 FORD

1520371 FORD

1568654 FORD

1738807 FORD

1C1J1125A1D FORD

1C1J1125A2D FORD

1C1J1125AB FORD

1C1J1125AC FORD

1C1J1125AD FORD

1C1W1125AA FORD

1C1W1125AB FORD

4041427 FORD

4395257 FORD
