



BRAKE DISC

09.9510.14

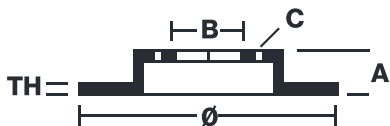
The **09.9510.14** brake disc is synonymous with reliability

The Brembo brake disc is fully interchangeable with an Original Equipment brake disc. The control of the entire production cycle allows Brembo to offer brake discs with outstanding performance levels, reliability, durability and comfort in all conditions of use. All Brembo brake discs are accompanied by the ECE-R90 homologation.

- ✓ OE-equivalent
- ✓ Brembo quality
- ✓ ECE-R90 certificate
- ✓ Safety
- ✓ High carbon
- ✓ PVT ventilation



Technical specifications



EAN code
8020584951019

Axle
Rear

Diameter Ø
303 mm

Thickness (TH)
28 mm

Height (A)
93 mm

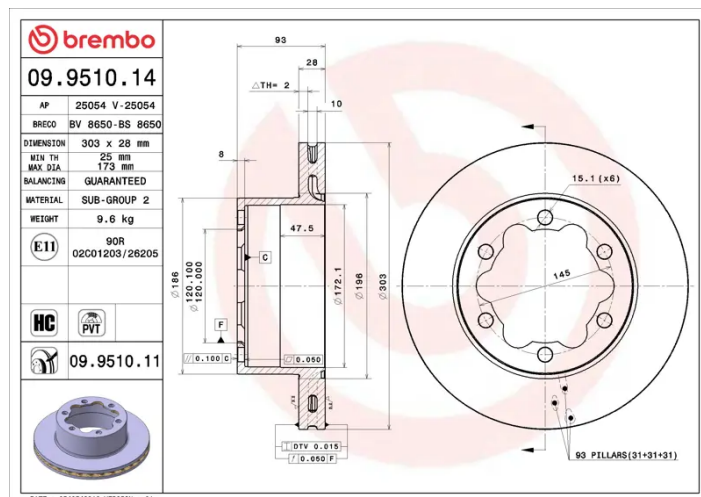
Number of holes (C)
6

Brake disc type
Ventilated

Centering (B)
120 mm

Min. thickness
25 mm

Tightening torque
175 Nm



COMPATIBLE VEHICLES

COMPATIBLE OE PART NUMBERS

68013765AA DODGE

9064230112 MERCEDES-BENZ

9074230100 MERCEDES-BENZ

907423010007 MERCEDES-BENZ

A9064230112 MERCEDES-BENZ

A9074230100 MERCEDES-BENZ

2E0615601 VW
