



BRAKE DISC PAINTED

09.B356.11

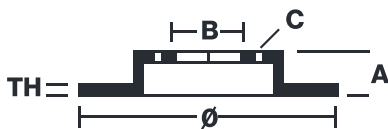
The 09.B356.11 painted brake disc is synonymous with reliability

The Brembo brake disc with special UV paint treatment guarantees superior corrosion resistance for the product, thanks to the protective coating on the outer edges and on the disc hub. The UV paint not only gives the disc a clean, shiny appearance but is also beneficial for the environment as the water-based UV paint treatment does not require the use of chemical solvents and is a low energy consumption process.

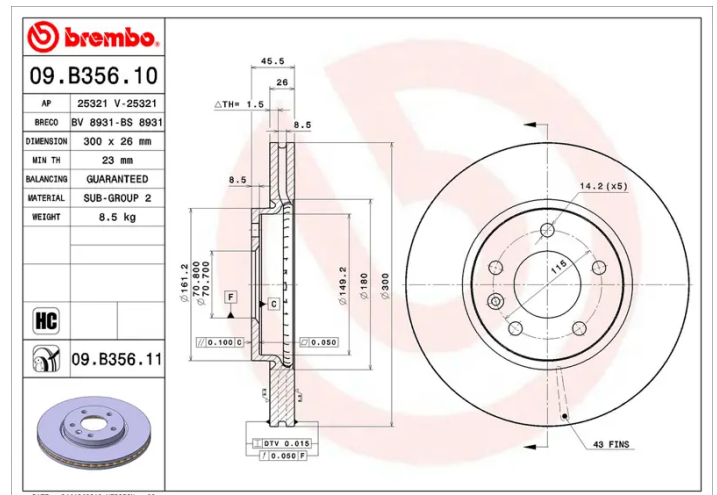
- ✓ OE-equivalent
- ✓ Brembo quality
- ✓ ECE-R90 certificate
- ✓ Safety
- ✓ High carbon
- ✓ Anti-corrosion



Technical specifications



EAN code 8020584038260	Axle Front	Diameter Ø 300 mm
Thickness (TH) 26 mm	Height (A) 46 mm	Number of holes (C) 5
Brake disc type Ventilated	Centering (B) 71 mm	Min. thickness 23 mm
Tightening torque 110 Nm		



COMPATIBLE VEHICLES

COMPATIBLE OE PART NUMBERS

13502052	BUICK (SGM)
13502051	CHEVROLET
13502052	CHEVROLET
13503988	CHEVROLET
23118275	CHEVROLET
13502052	CHEVROLET (SGM)
13502051	OPEL
13502052	OPEL
13503988	OPEL
23118060	OPEL
569070	OPEL
569076	OPEL
569082	OPEL
569098	OPEL
95527031	OPEL
13502051	VAUXHALL
13502052	VAUXHALL
13503988	VAUXHALL
23118060	VAUXHALL
95527031	VAUXHALL