



BRAKE DISC LIGHTWEIGHT

09.D552.23

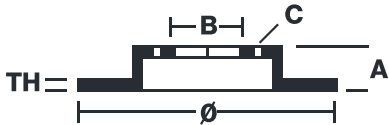
LightWeight brake disc 09.D552.23 belongs to Brembo Premium Line

The LightWeight brake disc solution is characterised by a high-carbon cast iron braking surface connected by pressure to the steel hat. It is up to 15% lighter than an equivalent integral disc. As a result, it significantly improves the road behaviour of the vehicle and reduces fuel consumption and emissions as well.

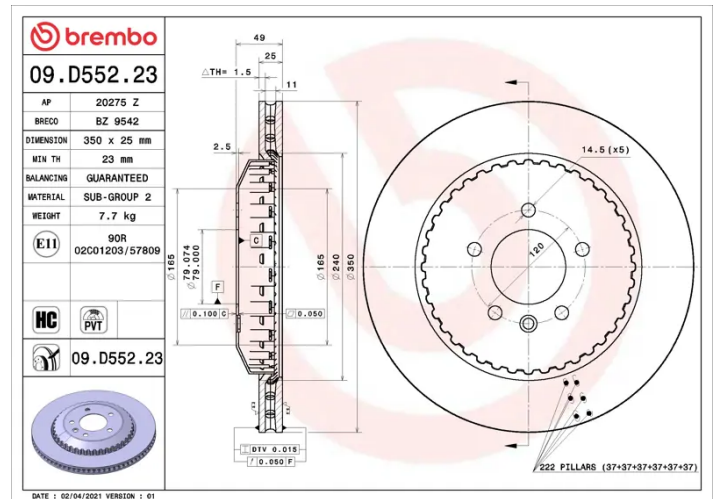


- ✓ OE-equivalent
- ✓ Brembo quality
- ✓ ECE-R90 certificate
- ✓ Weight reduction
- ✓ High carbon
- ✓ Bi-Material Brake Disc
- ✓ Anti-corrosion
- ✓ Fading resistance

Technical specifications



EAN code 8020584316047	Axle Rear	Diameter \varnothing 350 mm
Thickness (TH) 25 mm	Height (A) 49 mm	Number of holes (C) 5
Brake disc type Ventilated	Centering (B) 79 mm	Min. thickness 23 mm



COMPATIBLE VEHICLES

COMPATIBLE OE PART NUMBERS

LR132811 LAND ROVER

LR161905 LAND ROVER
