

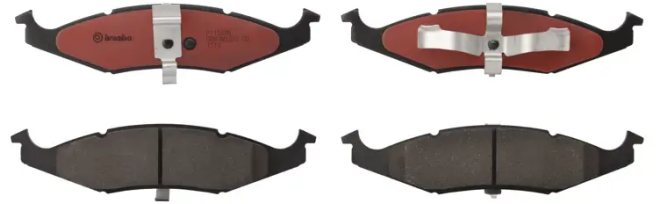


BRAKE PAD PRIME CERAMIC P11009N

The P11009N NAO brake pad is synonymous with reliability

Brembo NAO brake pads stand out for their ultimate braking comfort, reduced friction wear and low dust mission, which makes for cleaner rims and reduced maintenance requirements. The advanced friction material in keeping with the strictest environmental standards is the main distinguishing feature of NAO compounds.

- ✓ OE-equivalent
- ✓ Brembo quality
- ✓ Safety
- ✓ Comfort
- ✓ Durability
- ✓ Dust reduction
- ✓ With accessories



Technical specifications

EAN code
8020584096468

Axle
Front

Thickness
16 mm

Width
165 mm

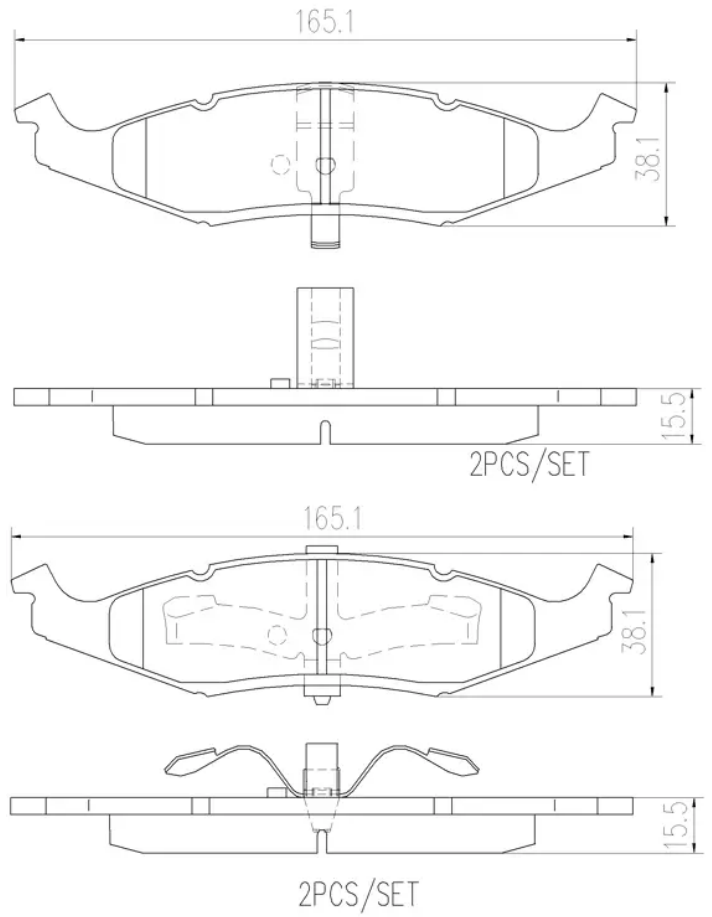
Height
38 mm

Braking system
Kelsey Hayes

Wear indicator
Without

WVA number
23740,23741

Accessories
With accessories
With anti-squeal shim
With piston clip



COMPATIBLE VEHICLES

COMPATIBLE OE PART NUMBERS

04762550	CHRYSLER
4762550	CHRYSLER
4797411	CHRYSLER
K04762550	CHRYSLER
K04797411	CHRYSLER