



BRAKE PAD PRIME CERAMIC P11025N

The P11025N NAO brake pad is synonymous with reliability

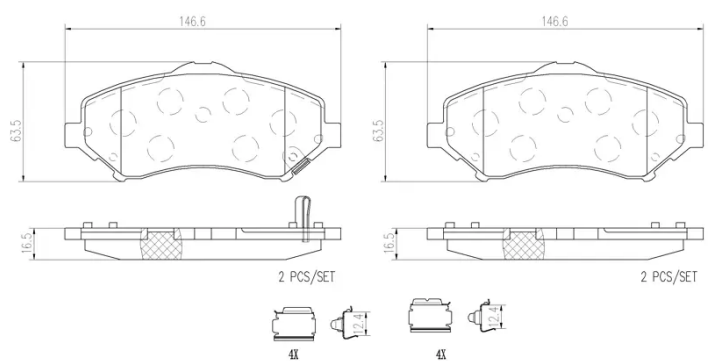
Brembo NAO brake pads stand out for their ultimate braking comfort, reduced friction wear and low dust mission, which makes for cleaner rims and reduced maintenance requirements. The advanced friction material in keeping with the strictest environmental standards is the main distinguishing feature of NAO compounds.

- ✓ OE-equivalent
- ✓ Brembo quality
- ✓ Safety
- ✓ Comfort
- ✓ Durability
- ✓ Dust reduction
- ✓ With accessories



Technical specifications

EAN code 8020584096604	Axle Front	Thickness 17 mm
Width 147 mm	Height 64 mm	Braking system Bosch
Wear indicator Acoustic	WVA number 24604,24605	Accessories With anti-squeal shim



COMPATIBLE VEHICLES

COMPATIBLE OE PART NUMBERS

068093323AB CHRYSLER

68093323AA CHRYSLER

68093323AB CHRYSLER

68029263AA DODGE

68044866AA DODGE

68053152AA DODGE

68053152AB DODGE

68068762AA DODGE

00K68029263AA FIAT

71771813 FIAT

K68029263AA FIAT

K68053152AB FIAT

K68068762AA FIAT

K68093323AA FIAT

K68093323AB FIAT

68044866AB JEEP

68044866AC JEEP

K68044866AC JEEP
