



BRAKE PAD PRIME CERAMIC P50103N

The P50103N NAO brake pad is synonymous with reliability

Brembo NAO brake pads stand out for their ultimate braking comfort, reduced friction wear and low dust mission, which makes for cleaner rims and reduced maintenance requirements. The advanced friction material in keeping with the strictest environmental standards is the main distinguishing feature of NAO compounds.

- ✓ OE-equivalent
- ✓ Brembo quality
- ✓ Safety
- ✓ Comfort
- ✓ Durability
- ✓ Dust reduction
- ✓ With accessories



Technical specifications

EAN code
8020584089019

Axle
Rear

Thickness
19 mm

Width
116 mm

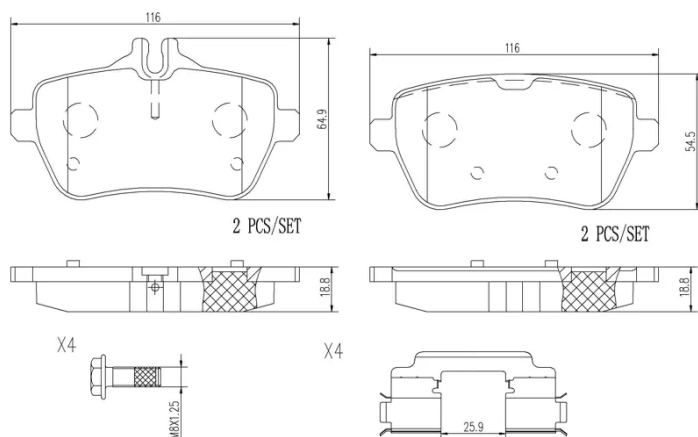
Height
55 mm

Braking system
TRW

Wear indicator
Prepared for wear indicator

WVA number
25071,25072

Accessories
**With accessories
With anti-squeal shim
With brake caliper bolts**



COMPATIBLE VEHICLES

COMPATIBLE OE PART NUMBERS

0004202805	MERCEDES-BENZ
------------	---------------

0064207220	MERCEDES-BENZ
------------	---------------

0084203420	MERCEDES-BENZ
------------	---------------

A0004202805	MERCEDES-BENZ
-------------	---------------

A0064207220	MERCEDES-BENZ
-------------	---------------

A0084203420	MERCEDES-BENZ
-------------	---------------
