



BRAKE PAD PRIME CERAMIC P50130N

The P50130N NAO brake pad is synonymous with reliability

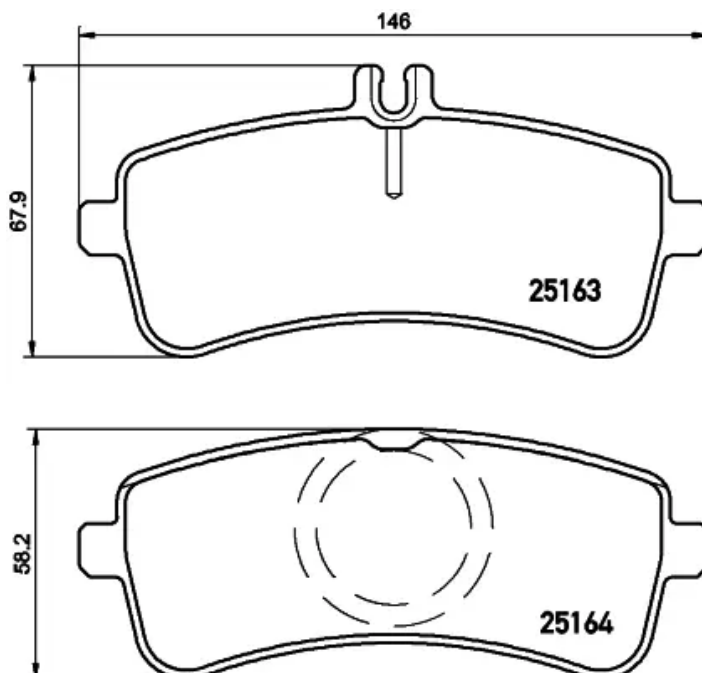
Brembo NAO brake pads stand out for their ultimate braking comfort, reduced friction wear and low dust mission, which makes for cleaner rims and reduced maintenance requirements. The advanced friction material in keeping with the strictest environmental standards is the main distinguishing feature of NAO compounds.

- ✓ OE-equivalent
- ✓ Brembo quality
- ✓ Safety
- ✓ Comfort
- ✓ Durability
- ✓ Dust reduction
- ✓ With accessories



Technical specifications

EAN code 8020584068281	Axle Rear	Thickness 18 mm
Width 146 mm	Height 68 mm	Braking system TRW
Wear indicator Prepared for wear indicator	WVA number 25163,25164	Accessories With anti-squeal shim With accessories With brake caliper bolts



COMPATIBLE VEHICLES

COMPATIBLE OE PART NUMBERS

0004203204 MERCEDES-BENZ

0004204704 MERCEDES-BENZ

0004205802 MERCEDES-BENZ

0064206920 MERCEDES-BENZ

0064209020 MERCEDES-BENZ

0084200720 MERCEDES-BENZ

A0004203204 MERCEDES-BENZ

A0004204704 MERCEDES-BENZ

A0004205802 MERCEDES-BENZ

A0064206920 MERCEDES-BENZ

A0064209020 MERCEDES-BENZ

A0084200720 MERCEDES-BENZ
