



BRAKE PAD PRIME CERAMIC P50136N

The P50136N NAO brake pad is
synonymous with reliability

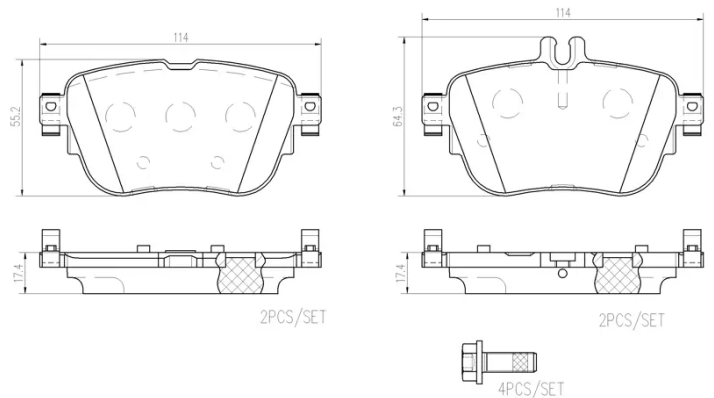
Brembo NAO brake pads stand out for their ultimate braking comfort, reduced friction wear and low dust mission, which makes for cleaner rims and reduced maintenance requirements. The advanced friction material in keeping with the strictest environmental standards is the main distinguishing feature of NAO compounds.

- ✓ OE-equivalent
- ✓ Brembo quality
- ✓ Safety
- ✓ Comfort
- ✓ Durability
- ✓ Dust reduction
- ✓ With accessories



Technical specifications

EAN code 8020584086025	Axle Rear	Thickness 17 mm
Width 114 mm	Height 55 mm	Braking system TRW
Wear indicator Prepared for wear indicator	WVA number 22437,22438	Accessories With anti-squeal shim With brake caliper bolts With accessories



COMPATIBLE VEHICLES

COMPATIBLE OE PART NUMBERS

0004206000	MERCEDES-BENZ
0004206100	MERCEDES-BENZ
0004206805	MERCEDES-BENZ
0004209203	MERCEDES-BENZ
0004209303	MERCEDES-BENZ
0004209700	MERCEDES-BENZ
0004209800	MERCEDES-BENZ
A0004206000	MERCEDES-BENZ
A0004206100	MERCEDES-BENZ
A0004206805	MERCEDES-BENZ
A0004209303	MERCEDES-BENZ
A0004209700	MERCEDES-BENZ
A0004209800	MERCEDES-BENZ
A0004209203	MERCEDES-BENZ (BBDC)