



# BRAKE PAD PRIME CERAMIC P56024N

The P56024N NAO brake pad is synonymous with reliability



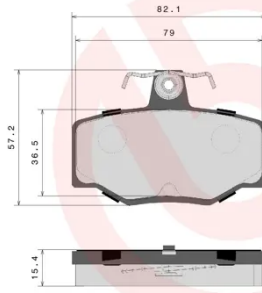

Brembo NAO brake pads stand out for their ultimate braking comfort, reduced friction wear and low dust mission, which makes for cleaner rims and reduced maintenance requirements. The advanced friction material in keeping with the strictest environmental standards is the main distinguishing feature of NAO compounds.

- ✓ OE-equivalent
- ✓ Brembo quality
- ✓ Safety
- ✓ Comfort
- ✓ Durability
- ✓ Dust reduction
- ✓ With accessories



## Technical specifications

EAN code <b>8020584098721</b>	Axle <b>Rear</b>	Thickness <b>16 mm</b>
Width <b>82 mm</b>	Height <b>57 mm</b>	Braking system <b>Lucas</b>
Wear indicator <b>Without</b>	WVA number <b>21545</b>	Accessories <b>With accessories</b> <b>With anti-squeal shim</b> <b>With brake caliper bolts</b>

	<b>P56024N</b>		407.E672.727.N
			SCREW M8x1.0x22 05_E659.004 - x2 
WVA: 21545 QTY: x4			
<small>DATE : 04/12/2024 VERSION : 00</small>			

**COMPATIBLE VEHICLES**

## COMPATIBLE OE PART NUMBERS

440603F025	NISSAN
------------	--------

440603F085	NISSAN
------------	--------

440603FD85	NISSAN
------------	--------

4406070J25	NISSAN
------------	--------

4406070J26	NISSAN
------------	--------

44060BM425	NISSAN
------------	--------

44060BM426	NISSAN
------------	--------

D4060BM40A	NISSAN
------------	--------