

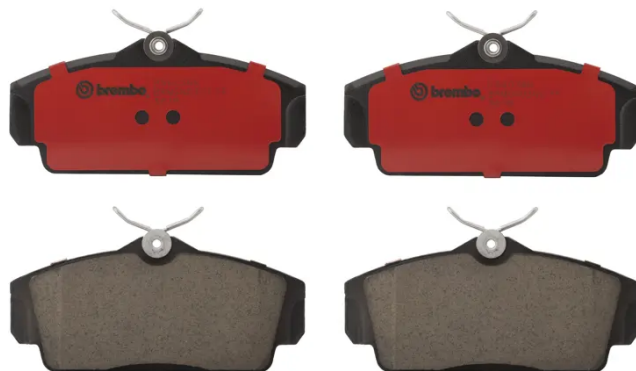


# BRAKE PAD PRIME CERAMIC P56036N

The P56036N NAO brake pad is synonymous with reliability

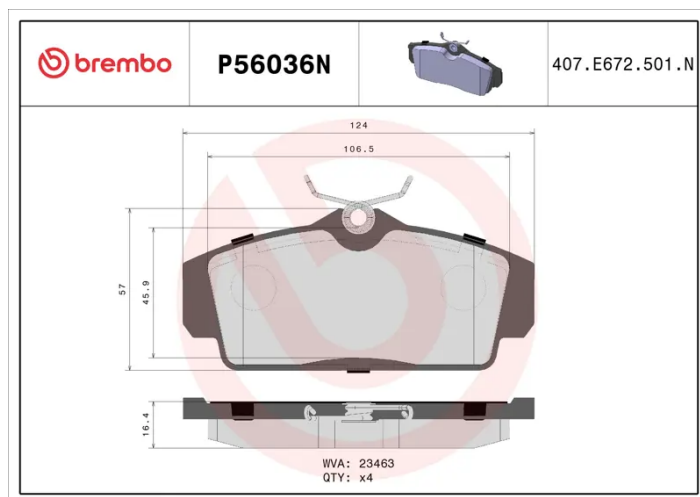
Brembo NAO brake pads stand out for their ultimate braking comfort, reduced friction wear and low dust mission, which makes for cleaner rims and reduced maintenance requirements. The advanced friction material in keeping with the strictest environmental standards is the main distinguishing feature of NAO compounds.

- ✓ OE-equivalent
- ✓ Brembo quality
- ✓ Safety
- ✓ Comfort
- ✓ Durability
- ✓ Dust reduction
- ✓ With accessories



## Technical specifications

EAN code <b>8020584098806</b>	Axle <b>Front</b>	Thickness <b>17 mm</b>
Width <b>124 mm</b>	Height <b>57 mm</b>	Braking system <b>Lucas</b>
Wear indicator <b>Without</b>	WVA number <b>23093,23463</b>	Accessories <b>With anti-squeal shim</b>



## COMPATIBLE OE PART NUMBERS

410602F028	NISSAN
------------	--------

410602F525	NISSAN
------------	--------

410602F526	NISSAN
------------	--------

410602F527	NISSAN
------------	--------

410602F528	NISSAN
------------	--------

410605M325	NISSAN
------------	--------

410605M326	NISSAN
------------	--------

41060BM525	NISSAN
------------	--------

D1060BM50A	NISSAN
------------	--------