



# BRAKE PAD PRIME CERAMIC P56060N

The P56060N NAO brake pad is synonymous with reliability

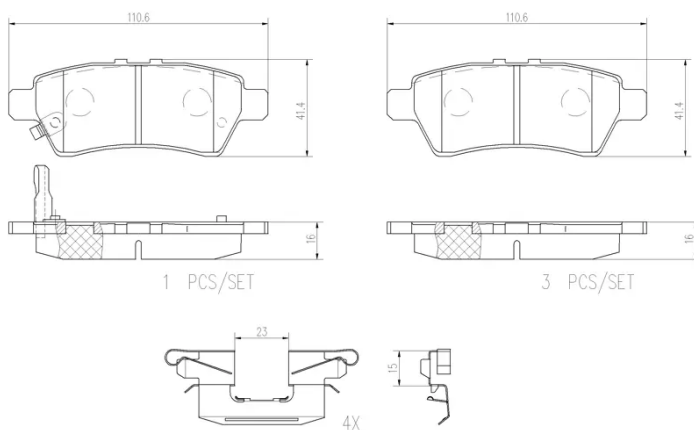
Brembo NAO brake pads stand out for their ultimate braking comfort, reduced friction wear and low dust mission, which makes for cleaner rims and reduced maintenance requirements. The advanced friction material in keeping with the strictest environmental standards is the main distinguishing feature of NAO compounds.

- ✓ OE-equivalent
- ✓ Brembo quality
- ✓ Safety
- ✓ Comfort
- ✓ Durability
- ✓ Dust reduction
- ✓ With accessories



## Technical specifications

EAN code <b>8020584098936</b>	Axle <b>Rear</b>	Thickness <b>16 mm</b>
Width <b>111 mm</b>	Height <b>41 mm</b>	Braking system <b>Tokico</b>
Wear indicator <b>Acoustic</b>	WVA number <b>24240,24242,24243</b>	Accessories <b>With anti-squeal shim</b>



COMPATIBLE VEHICLES

## COMPATIBLE OE PART NUMBERS

44060EA000	NISSAN
------------	--------

---

44060EA090	NISSAN
------------	--------

---

44060EA091	NISSAN
------------	--------

---

44060EB325	NISSAN
------------	--------

---

D4060EB300	NISSAN
------------	--------

---