

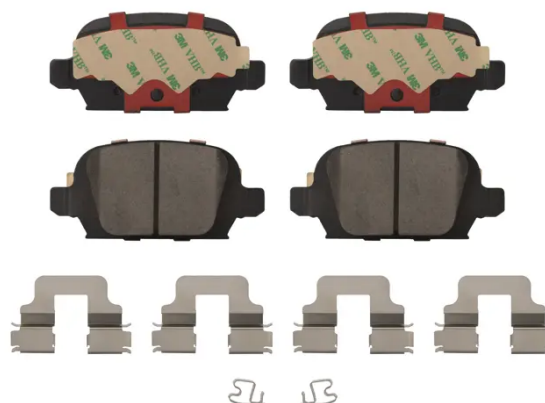


BRAKE PAD PRIME CERAMIC P59037N

The P59037N NAO brake pad is synonymous with reliability

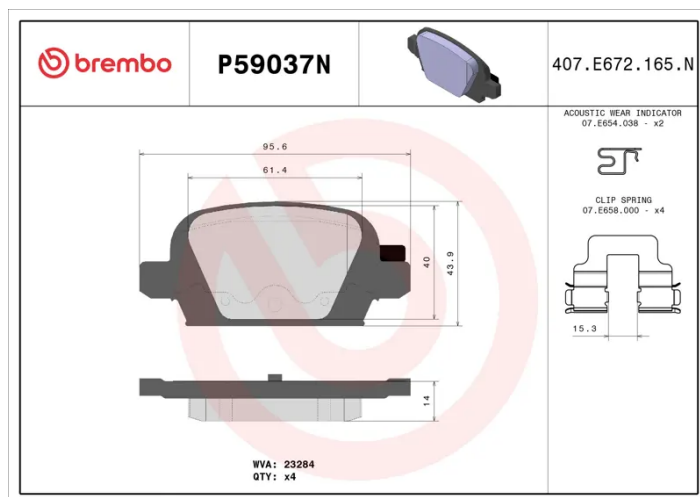
Brembo NAO brake pads stand out for their ultimate braking comfort, reduced friction wear and low dust mission, which makes for cleaner rims and reduced maintenance requirements. The advanced friction material in keeping with the strictest environmental standards is the main distinguishing feature of NAO compounds.

- ✓ OE-equivalent
- ✓ Brembo quality
- ✓ Safety
- ✓ Comfort
- ✓ Durability
- ✓ Dust reduction
- ✓ With accessories



Technical specifications

EAN code 8020584089262	Axle Rear	Thickness 14 mm
Width 96 mm	Height 44 mm	Braking system Lucas
Wear indicator Acoustic	WVA number 23284	Accessories With anti-squeal shim



COMPATIBLE VEHICLES

COMPATIBLE OE PART NUMBERS

09200132 OPEL

1605085 OPEL

1605397 OPEL

1605965 OPEL

1605994 OPEL

9200132 OPEL

93176117 OPEL

93178789 OPEL

93188452 OPEL

93190218 OPEL
