



BRAKE PAD PRIME CERAMIC P59087N

The P59087N NAO brake pad is synonymous with reliability

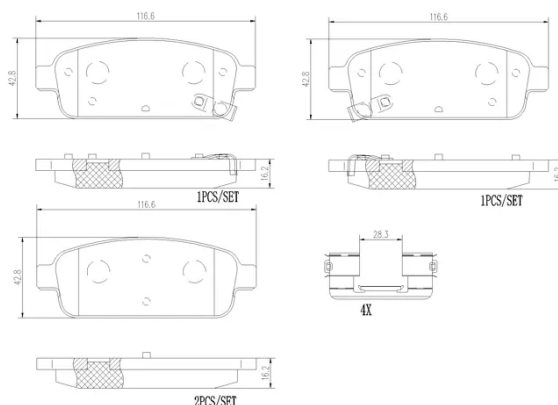
Brembo NAO brake pads stand out for their ultimate braking comfort, reduced friction wear and low dust mission, which makes for cleaner rims and reduced maintenance requirements. The advanced friction material in keeping with the strictest environmental standards is the main distinguishing feature of NAO compounds.

- ✓ OE-equivalent
- ✓ Brembo quality
- ✓ Safety
- ✓ Comfort
- ✓ Durability
- ✓ Dust reduction
- ✓ With accessories



Technical specifications

EAN code 8020584114056	Axle Rear	Thickness 16 mm
Width 117 mm	Height 43 mm	Braking system TRW
Wear indicator Acoustic	WVA number 25098,25096,25097	Accessories With anti-squeal shim



COMPATIBLE OE PART NUMBERS

13417473 OPEL

13473429 OPEL

1605170 OPEL

1605266 OPEL

1605295 OPEL

95516196 OPEL
