



BRAKE PAD PRIME CERAMIC P65035N

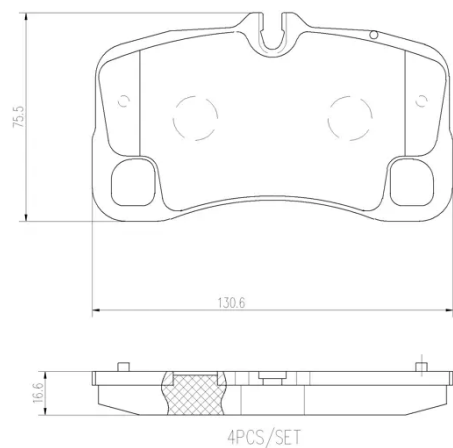
The P65035N NAO brake pad is synonymous with reliability

Brembo NAO brake pads stand out for their ultimate braking comfort, reduced friction wear and low dust mission, which makes for cleaner rims and reduced maintenance requirements. The advanced friction material in keeping with the strictest environmental standards is the main distinguishing feature of NAO compounds.

- ✓ OE-equivalent
- ✓ Brembo quality
- ✓ Safety
- ✓ Comfort
- ✓ Durability
- ✓ Dust reduction
- ✓ With accessories

Technical specifications

EAN code	Axle	Thickness
8020584119730	Rear	18 mm
Width	Height	Braking system
131 mm	75 mm	Brembo
Wear indicator	WVA number	Accessories
Prepared for wear indicator	24154	With anti-squeal shim



COMPATIBLE VEHICLES

COMPATIBLE OE PART NUMBERS

99735294700 PORSCHE

99735294701 PORSCHE

99735294704 PORSCHE

99735294792 PORSCHE

99735294793 PORSCHE

99735294795 PORSCHE

99735294797 PORSCHE
