

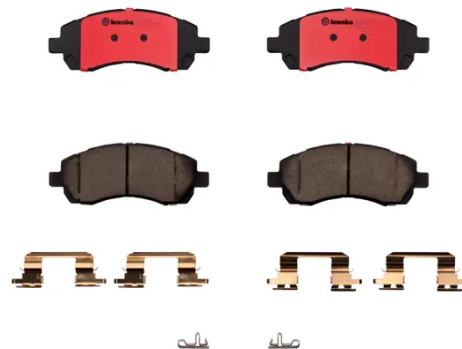


BRAKE PAD PRIME CERAMIC P78009N

The P78009N NAO brake pad is synonymous with reliability

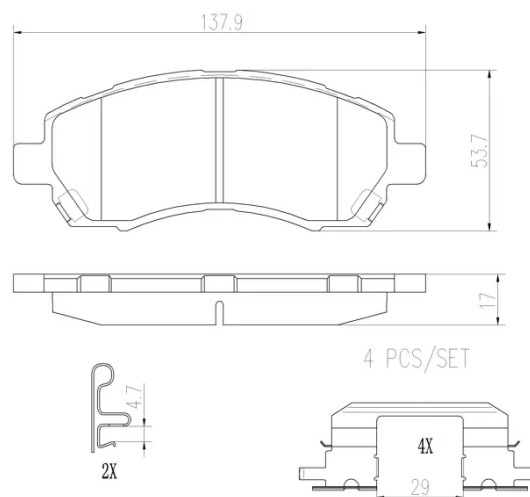
Brembo NAO brake pads stand out for their ultimate braking comfort, reduced friction wear and low dust mission, which makes for cleaner rims and reduced maintenance requirements. The advanced friction material in keeping with the strictest environmental standards is the main distinguishing feature of NAO compounds.

- ✓ OE-equivalent
- ✓ Brembo quality
- ✓ Safety
- ✓ Comfort
- ✓ Durability
- ✓ Dust reduction
- ✓ With accessories



Technical specifications

EAN code 8020584099391	Axle Front	Thickness 17 mm
Width 138 mm	Height 54 mm	Braking system Akebono
Wear indicator Acoustic	WVA number 23780,23781,23782	Accessories With anti-squeal shim



COMPATIBLE VEHICLES

COMPATIBLE OE PART NUMBERS

26296AC000	SUBARU
------------	--------

26296AC010	SUBARU
------------	--------

26296AC011	SUBARU
------------	--------

26296AC020	SUBARU
------------	--------

26296AC021	SUBARU
------------	--------

26296AC080	SUBARU
------------	--------

26296AC090	SUBARU
------------	--------

26296AE000	SUBARU
------------	--------

26296AE001	SUBARU
------------	--------

26296AE002	SUBARU
------------	--------

26296AE040	SUBARU
------------	--------