



BRAKE PAD PRIME CERAMIC P83055N

The P83055N NAO brake pad is synonymous with reliability

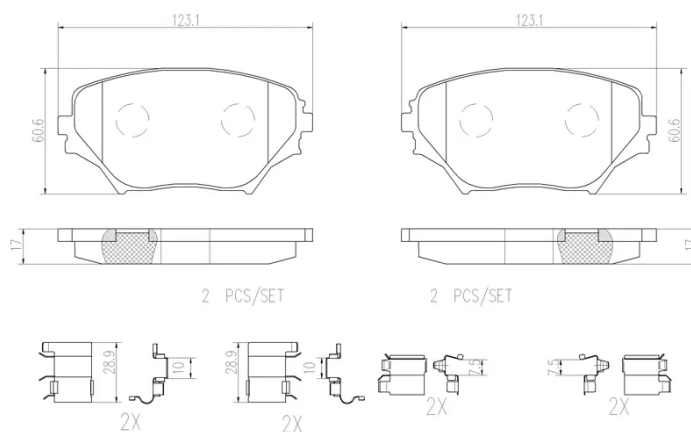
Brembo NAO brake pads stand out for their ultimate braking comfort, reduced friction wear and low dust mission, which makes for cleaner rims and reduced maintenance requirements. The advanced friction material in keeping with the strictest environmental standards is the main distinguishing feature of NAO compounds.

- ✓ OE-equivalent
- ✓ Brembo quality
- ✓ Safety
- ✓ Comfort
- ✓ Durability
- ✓ Dust reduction
- ✓ With accessories



Technical specifications

EAN code 8020584099636	Axle Front	Thickness 17 mm
Width 123 mm	Height 61 mm	Braking system Akebono
Wear indicator Without	WVA number 23585,23586	Accessories With anti-squeal shim



COMPATIBLE VEHICLES

COMPATIBLE OE PART NUMBERS

0446542070	TOYOTA
------------	--------

0446542071	TOYOTA
------------	--------

0446542080	TOYOTA
------------	--------

0446542110	TOYOTA
------------	--------

0446542130	TOYOTA
------------	--------

04465YZZCN	TOYOTA
------------	--------

04465YZZCS	TOYOTA
------------	--------