



BRAKE PAD PRIME CERAMIC P85096N

**The P85096N NAO brake pad is
synonymous with reliability**

Brembo NAO brake pads stand out for their ultimate braking comfort, reduced friction wear and low dust mission, which makes for cleaner rims and reduced maintenance requirements. The advanced friction material in keeping with the strictest environmental standards is the main distinguishing feature of NAO compounds.

- ✓ OE-equivalent
- ✓ Brembo quality
- ✓ Safety
- ✓ Comfort
- ✓ Durability
- ✓ Dust reduction
- ✓ With accessories

Technical specifications

EAN code
8020584090084

Axle
Front

Thickness
19 mm

Width
63 mm

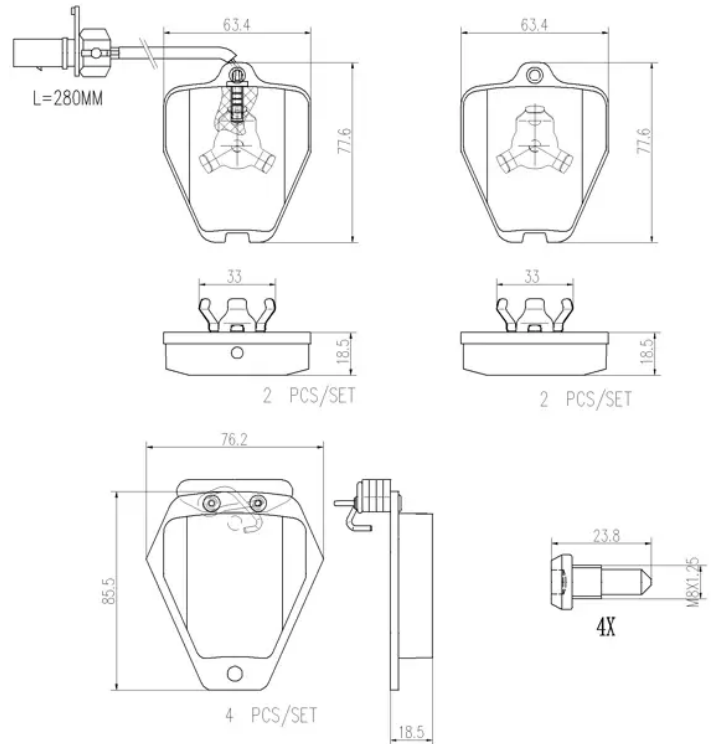
Height
78 mm

Braking system
Lucas

Wear indicator
Electric

WVA number
21452,21454,23829

Accessories
With accessories
With anti-squeal shim
With brake caliper bolts
With piston clip



COMPATIBLE VEHICLES

COMPATIBLE OE PART NUMBERS

4B0698151AE	AUDI
4B0698151C	AUDI
4D0698151F	AUDI
8D0698151B	AUDI
8D0698151K	AUDI
4B0698151AE	SEAT
4B0698151C	SEAT
8D0698151B	SEAT
4B0698151AE	SKODA
4B0698151C	SKODA
8D0698151B	SKODA
4B0698151AE	VW
4B0698151C	VW
8D0698151B	VW