



BRAKE PAD PRIME CERAMIC PA6022N

The PA6022N NAO brake pad is synonymous with reliability

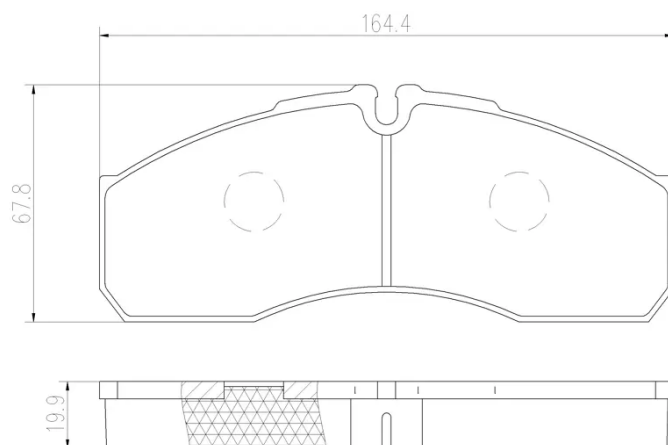
Brembo NAO brake pads stand out for their ultimate braking comfort, reduced friction wear and low dust mission, which makes for cleaner rims and reduced maintenance requirements. The advanced friction material in keeping with the strictest environmental standards is the main distinguishing feature of NAO compounds.

- ✓ OE-equivalent
- ✓ Brembo quality
- ✓ Safety
- ✓ Comfort
- ✓ Durability
- ✓ Dust reduction
- ✓ With accessories



Technical specifications

EAN code	Axle	Thickness
8020584068236	Front	20 mm
Width	Height	Braking system
164 mm	68 mm	Brembo PF 2.52
Wear indicator	WVA number	Accessories
Prepared for wear indicator	29160	With anti-squeal shim



4 PCS/SET

COMPATIBLE OE PART NUMBERS

2995632	IVECO
2996532	IVECO
42535782	IVECO
42536101	IVECO
42548192	IVECO
504093779	IVECO
410609X129	NISSAN
41060MB625	NISSAN
5001844748	RENAULT TRUCKS