



BRAKE PAD

P 06 010

The P 06 010 brake pad is synonymous with reliability



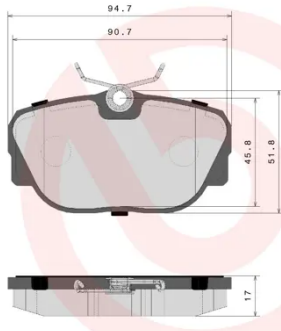
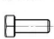
The Brembo brake pad guarantees ultimate safety when braking thanks to the use of more than 100 different compounds, designed according to the type of vehicle and use. Stopping distances reduced to a minimum, maximum driving comfort and silent operation are the most important features of Brembo materials. Brembo brake pads are supplied together with an extensive range of accessories and assembly kits for professional-standard installation.

- ✓ OE-equivalent
- ✓ Brembo quality
- ✓ ECE-R90 certificate
- ✓ Safety
- ✓ Performance
- ✓ Comfort
- ✓ With accessories

Technical specifications

EAN code 8020584050101	Axle Front	Thickness 17 mm
Width 95 mm	Height 51 mm	Braking system Lucas
Wear indicator Prepared for wear indicator	WVA number 21173	Accessories With accessories With anti-squeal shim With brake caliper bolts



	P 06 010		407.E672.003
		SCREW M8x1,25x21 05.E659.000 - x2 	
DATE : 24/10/2023 VERSION : 00			

COMPATIBLE VEHICLES

COMPATIBLE OE PART NUMBERS

34111154377 BMW

34111154442 BMW

34111154443 BMW

34111155998 BMW

34111155999 BMW

34111156898 BMW

34111156899 BMW

34111157747 BMW

34111157748 BMW

34111160522 BMW

34111161057 BMW

34111161347 BMW

34111161349 BMW

34111162481 BMW

34119058982 BMW

34119058989 BMW
