



BRAKE PAD

P 23 084

The P 23 084 brake pad is synonymous with reliability



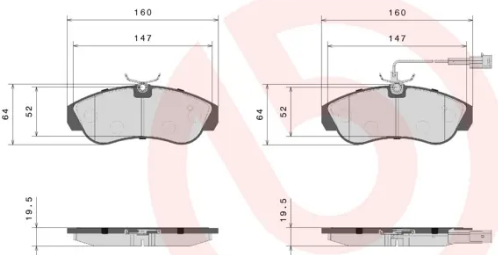

The Brembo brake pad guarantees ultimate safety when braking thanks to the use of more than 100 different compounds, designed according to the type of vehicle and use. Stopping distances reduced to a minimum, maximum driving comfort and silent operation are the most important features of Brembo materials. Brembo brake pads are supplied together with an extensive range of accessories and assembly kits for professional-standard installation.

- ✓ OE-equivalent
- ✓ Brembo quality
- ✓ ECE-R90 certificate
- ✓ Safety
- ✓ Performance
- ✓ Comfort
- ✓ With accessories

Technical specifications

EAN code 8020584051542	Axle Front	Thickness 20 mm
Width 160 mm	Height 64 mm	Braking system Lucas
Wear indicator Electric	WVA number 21799,23603	Accessories With accessories With anti-squeal shim With brake caliper bolts



	P 23 084		407.E672.562
		<small>SCREW M8x1,25x21 05.E659.000 - x4</small> 	
<small>WVA: 21799 QTY: x2</small>		<small>WVA: 23603 QTY: x2</small>	
<small>DATE : 14/07/2023 VERSION : 00</small>			

COMPATIBLE VEHICLES

COMPATIBLE OE PART NUMBERS

425225	CITROËN
--------	---------

425227	CITROËN
--------	---------

425456	CITROËN
--------	---------

E172348	CITROËN
---------	---------

71753040	FIAT
----------	------

71770980	FIAT
----------	------

77362233	FIAT
----------	------

9948629	FIAT
---------	------

425225	PEUGEOT
--------	---------

425227	PEUGEOT
--------	---------

425456	PEUGEOT
--------	---------