



BRAKE PAD

P 24 069

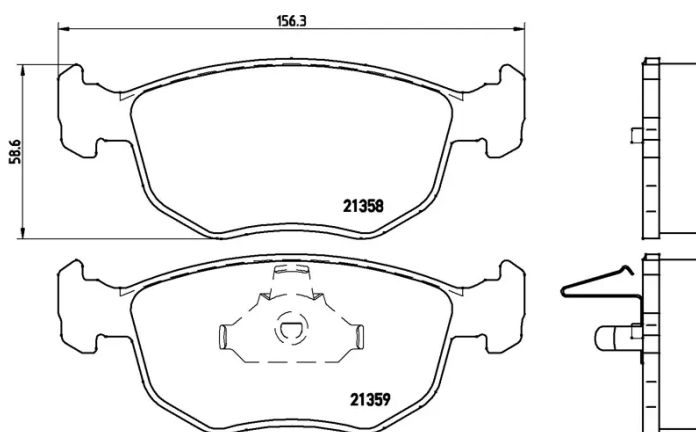
The P 24 069 brake pad is synonymous with reliability

The Brembo brake pad guarantees ultimate safety when braking thanks to the use of more than 100 different compounds, designed according to the type of vehicle and use. Stopping distances reduced to a minimum, maximum driving comfort and silent operation are the most important features of Brembo materials. Brembo brake pads are supplied together with an extensive range of accessories and assembly kits for professional-standard installation.

- ✓ OE-equivalent
- ✓ Brembo quality
- ✓ ECE-R90 certificate
- ✓ Safety
- ✓ Performance
- ✓ Comfort

Technical specifications

EAN code	Axle	Thickness
8020584060421	Front	20 mm
Width	Height	Braking system
156 mm	59 mm	Teves
Wear indicator	WVA number	Accessories
Without	21358,21579	With anti-squeal shim



COMPATIBLE VEHICLES

COMPATIBLE OE PART NUMBERS

1022077 FORD

1097768 FORD

258Z2001BA FORD

6668587 FORD

6687176 FORD

7204067 FORD

93BB2K021BB FORD

93BX2K021BB FORD

95GB2K021AA FORD

V92AB2K021AA FORD
