



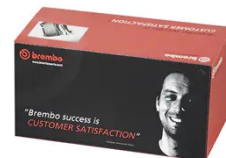
# BRAKE PAD

## P 50 053

The P 50 053 brake pad is synonymous with reliability

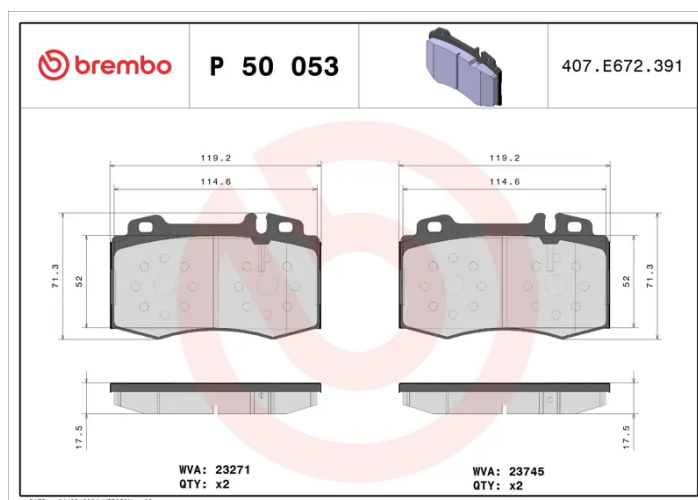
The Brembo brake pad guarantees ultimate safety when braking thanks to the use of more than 100 different compounds, designed according to the type of vehicle and use. Stopping distances reduced to a minimum, maximum driving comfort and silent operation are the most important features of Brembo materials. Brembo brake pads are supplied together with an extensive range of accessories and assembly kits for professional-standard installation.

- ✓ OE-equivalent
- ✓ Brembo quality
- ✓ ECE-R90 certificate
- ✓ Safety
- ✓ Performance
- ✓ Comfort



### Technical specifications

EAN code <b>8020584054253</b>	Axle <b>Front</b>	Thickness <b>18 mm</b>
Width <b>120 mm</b>	Height <b>71 mm</b>	Braking system <b>Brembo</b>
Wear indicator <b>Prepared for wear indicator</b>	WVA number <b>23271,23745</b>	Accessories <b>With anti-squeal shim</b>



COMPATIBLE VEHICLES

## COMPATIBLE OE PART NUMBERS

0004208004 MERCEDES-BENZ

---

0004208404 MERCEDES-BENZ

---

0034205820 MERCEDES-BENZ

---

0044200520 MERCEDES-BENZ

---

004420052067 MERCEDES-BENZ

---

0044209020 MERCEDES-BENZ

---

0054209520 MERCEDES-BENZ

---

005420952041 MERCEDES-BENZ

---

0064203220 MERCEDES-BENZ

---

4420052067 MERCEDES-BENZ

---

A0004208004 MERCEDES-BENZ

---

A0004208404 MERCEDES-BENZ

---

A0034205820 MERCEDES-BENZ

---

A0044200520 MERCEDES-BENZ

---

A004420052067 MERCEDES-BENZ

---

A0044209020 MERCEDES-BENZ

---

A0054209520 MERCEDES-BENZ

---

A0064203220 MERCEDES-BENZ

---

A4420052067 MERCEDES-BENZ

---