



BRAKE PAD

P 50 118

The P 50 118 brake pad is synonymous with reliability

The Brembo brake pad guarantees ultimate safety when braking thanks to the use of more than 100 different compounds, designed according to the type of vehicle and use. Stopping distances reduced to a minimum, maximum driving comfort and silent operation are the most important features of Brembo materials. Brembo brake pads are supplied together with an extensive range of accessories and assembly kits for professional-standard installation.

- ✓ OE-equivalent
- ✓ Brembo quality
- ✓ ECE-R90 certificate
- ✓ Safety
- ✓ Performance
- ✓ Comfort
- ✓ With accessories



Technical specifications

EAN code
8020584112465

Axle
Front

Thickness
19 mm

Width
144 mm

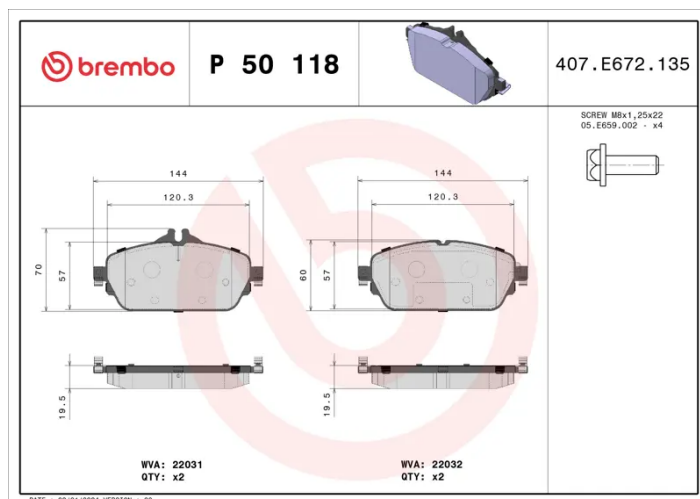
Height
60 mm

Braking system
TRW

Wear indicator
Prepared for wear indicator

WVA number
22031,22032

Accessories
**With accessories
With anti-squeal shim
With brake caliper bolts**



COMPATIBLE VEHICLES

COMPATIBLE OE PART NUMBERS

0004208700	MERCEDES-BENZ
------------	---------------

0084203620	MERCEDES-BENZ
------------	---------------

A0004208700	MERCEDES-BENZ
-------------	---------------

A0084203620	MERCEDES-BENZ
-------------	---------------
