



BRAKE PAD

P 50 143

The P 50 143 brake pad is synonymous with reliability

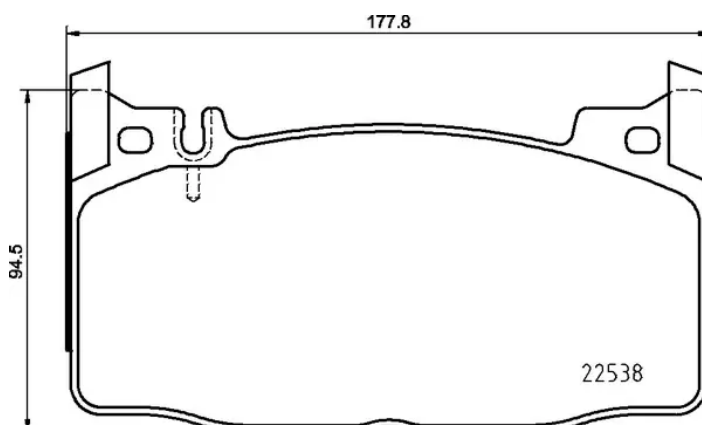
The Brembo brake pad guarantees ultimate safety when braking thanks to the use of more than 100 different compounds, designed according to the type of vehicle and use. Stopping distances reduced to a minimum, maximum driving comfort and silent operation are the most important features of Brembo materials. Brembo brake pads are supplied together with an extensive range of accessories and assembly kits for professional-standard installation.

- ✓ OE-equivalent
- ✓ Brembo quality
- ✓ ECE-R90 certificate
- ✓ Safety
- ✓ Performance
- ✓ Comfort



Technical specifications

EAN code	Axle	Thickness
8020584068427	Front	19 mm
Width	Height	Braking system
178 mm	95 mm	Brembo
Wear indicator	WVA number	Accessories
Prepared for wear indicator	22538	With anti-squeal shim



COMPATIBLE VEHICLES

COMPATIBLE OE PART NUMBERS

0004204600 MERCEDES-BENZ

0004205700 MERCEDES-BENZ

0074204120 MERCEDES-BENZ

0084202620 MERCEDES-BENZ

A0004204600 MERCEDES-BENZ

A0004205700 MERCEDES-BENZ

A0074204120 MERCEDES-BENZ

A0084202620 MERCEDES-BENZ

A74204120 MERCEDES-BENZ

A84202620 MERCEDES-BENZ
