



BRAKE PAD

P 50 174

The P 50 174 brake pad is synonymous with reliability

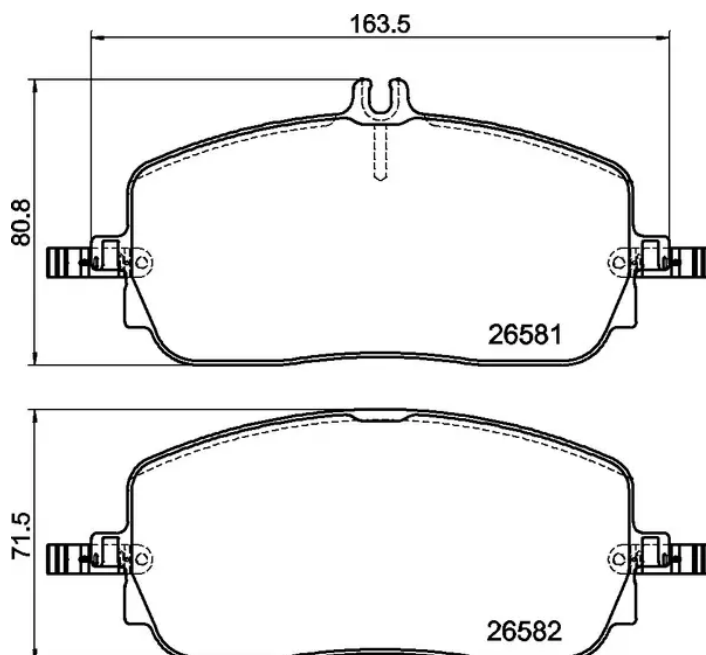
The Brembo brake pad guarantees ultimate safety when braking thanks to the use of more than 100 different compounds, designed according to the type of vehicle and use. Stopping distances reduced to a minimum, maximum driving comfort and silent operation are the most important features of Brembo materials. Brembo brake pads are supplied together with an extensive range of accessories and assembly kits for professional-standard installation.

- ✓ OE-equivalent
- ✓ Brembo quality
- ✓ ECE-R90 certificate
- ✓ Safety
- ✓ Performance
- ✓ Comfort
- ✓ With accessories



Technical specifications

EAN code 8020584125175	Axle Front	Thickness 18 mm
Width 164 mm	Height 72 mm	Braking system CBI
Wear indicator Prepared for wear indicator	WVA number 26581,26582	Accessories With accessories With anti-squeal shim With brake caliper bolts



COMPATIBLE VEHICLES

COMPATIBLE OE PART NUMBERS

0004200204	MERCEDES-BENZ
0004200304	MERCEDES-BENZ
0004202404	MERCEDES-BENZ
0004203303	MERCEDES-BENZ
0004203503	MERCEDES-BENZ
0004211202	MERCEDES-BENZ
0004213702	MERCEDES-BENZ
A0004200204	MERCEDES-BENZ
A0004200304	MERCEDES-BENZ
A0004202404	MERCEDES-BENZ
A0004203303	MERCEDES-BENZ
A0004203503	MERCEDES-BENZ
A0004211202	MERCEDES-BENZ
A0004213702	MERCEDES-BENZ
A0004203403	MERCEDES-BENZ (BBDC)