



# BRAKE PAD

## P 65 031

The P 65 031 brake pad is synonymous with reliability

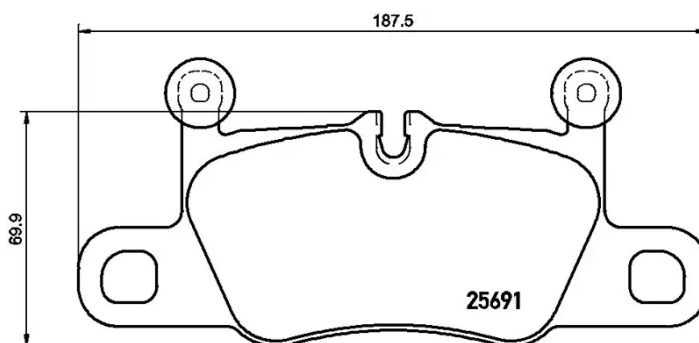
The Brembo brake pad guarantees ultimate safety when braking thanks to the use of more than 100 different compounds, designed according to the type of vehicle and use. Stopping distances reduced to a minimum, maximum driving comfort and silent operation are the most important features of Brembo materials. Brembo brake pads are supplied together with an extensive range of accessories and assembly kits for professional-standard installation.

- ✓ OE-equivalent
- ✓ Brembo quality
- ✓ ECE-R90 certificate
- ✓ Safety
- ✓ Performance
- ✓ Comfort



### Technical specifications

EAN code	Axle	Thickness
8020584112199	Rear	16 mm
Width	Height	Braking system
187 mm	82 mm	Brembo
Wear indicator	WVA number	Accessories
Prepared for wear indicator	25691	With anti-squeal shim With counterweights



COMPATIBLE VEHICLES

## COMPATIBLE OE PART NUMBERS

99135294900 PORSCHE

---

99135294901 PORSCHE

---

99135294902 PORSCHE

---

99135294903 PORSCHE

---

99135294904 PORSCHE

---

992698093 PORSCHE

---

992698093B PORSCHE

---

992698451H PORSCHE

---

992698451K PORSCHE

---

992698451R PORSCHE

---

9J1698451A PORSCHE

---

9J1698451F PORSCHE

---

9Y0698451AG PORSCHE

---

9Y0698451R PORSCHE

---