



BRAKE PAD

P 65 049

The P 65 049 brake pad is synonymous with reliability

The Brembo brake pad guarantees ultimate safety when braking thanks to the use of more than 100 different compounds, designed according to the type of vehicle and use. Stopping distances reduced to a minimum, maximum driving comfort and silent operation are the most important features of Brembo materials. Brembo brake pads are supplied together with an extensive range of accessories and assembly kits for professional-standard installation.

- ✓ OE-equivalent
- ✓ Brembo quality
- ✓ ECE-R90 certificate
- ✓ Safety
- ✓ Performance
- ✓ Comfort



Technical specifications

EAN code
8020584118245

Axle
Front

Thickness
17 mm

Width
210 mm

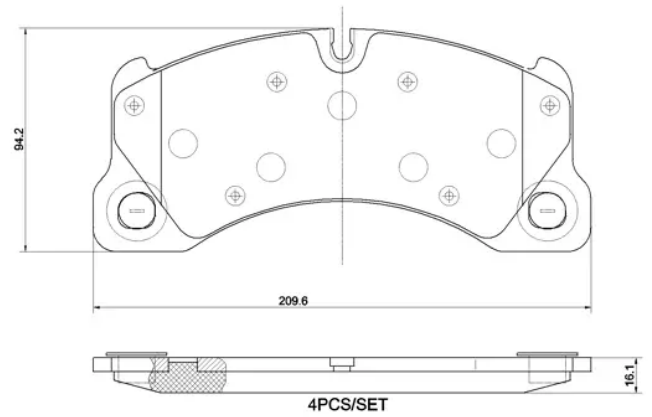
Height
95 mm

Braking system
Brembo

Wear indicator
Prepared for wear indicator

WVA number
22148

Accessories
With anti-squeal shim



2X L=420MM

COMPATIBLE VEHICLES

COMPATIBLE OE PART NUMBERS

9J1698151J	AUDI
95B698151D	PORSCHE
9Y0698151AA	PORSCHE
9Y0698151AT	PORSCHE
9Y0698151BE	PORSCHE
9Y0698151BF	PORSCHE
9Y0698151BH	PORSCHE
9Y0698151G	PORSCHE
9Y0698151K	PORSCHE