



BRAKE PAD

P 71 004

The P 71 004 brake pad is synonymous with reliability



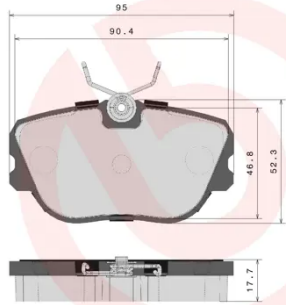
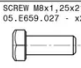
The Brembo brake pad guarantees ultimate safety when braking thanks to the use of more than 100 different compounds, designed according to the type of vehicle and use. Stopping distances reduced to a minimum, maximum driving comfort and silent operation are the most important features of Brembo materials. Brembo brake pads are supplied together with an extensive range of accessories and assembly kits for professional-standard installation.

- ✓ OE-equivalent
- ✓ Brembo quality
- ✓ ECE-R90 certificate
- ✓ Safety
- ✓ Performance
- ✓ Comfort
- ✓ With accessories

Technical specifications

EAN code 8020584057063	Axle Front	Thickness 18 mm
Width 95 mm	Height 52 mm	Braking system Lucas
Wear indicator Without	WVA number 21068	Accessories With accessories With anti-squeal shim With brake caliper bolts



	P 71 004		407.E672.759
			
WVA: 21068 QTY: x4			
<small>DATE : 17/06/2024 VERSION : 00</small>			

COMPATIBLE VEHICLES

COMPATIBLE OE PART NUMBERS

8961815	SAAB
---------	------

8967077	SAAB
---------	------

8968018	SAAB
---------	------

8993719	SAAB
---------	------

8993974	SAAB
---------	------
